



User Manual

Read and understand this manual before using machine.

8" INDUSTRIAL BENCH GRINDER 10" INDUSTRIAL BENCH GRINDER



**Model Numbers
15400, 15410**



THANK YOU for purchasing your new Steel City Bench Grinder. This bench grinder has been designed, tested, and inspected with you, the customer, in mind. When properly assembled, used and maintained, your bench grinder will provide you with years of trouble free service, which is why it is backed by one of the longest machinery warranties in the business.

This bench grinder is just one of many products in the Steel City's family of woodworking machinery and is proof of our commitment to total customer satisfaction.

At Steel City we continue to strive for excellence each and every day and value the opinion of you, our customer. For comments about your bench grinder or Steel City Tool Works, please visit our web site at www.steelcitytoolworks.com .

TABLE OF CONTENTS

INTRODUCTION

SECTION 1	Warranty	4
SECTION 2	Product Specifications	7
SECTION 3	Accessories and Attachments	8
SECTION 4	Definition of Terms	8
SECTION 5	Feature Identification	9
SECTION 6	General Safety	10
SECTION 7	Product Safety	12
SECTION 8	Electrical Requirements	14
SECTION 9	Unpacking & Inventory	15
SECTION 10	Assembly	16
SECTION 11	Adjustments	18
SECTION 12	Operations	20
SECTION 13	Maintenance	21
SECTION 14	Troubleshooting	22
SECTION 15	Parts List	24-25

INTRODUCTION

This user manual is intended for use by anyone working with this machine. It should be kept available for immediate reference so that all operations can be performed with maximum efficiency and safety. Do not attempt to perform maintenance or operate this machine until you have read and understand the information contained in this manual.

The drawings, illustrations, photographs, and specifications in this user manual represent your machine at time of print. However, changes may be made to your machine or this manual at any time with no obligation to Steel City Tool Works.

WARRANTY

2 YEAR LIMITED WARRANTY

Steel City Tool Works, LLC (SCTW) warrants this SCTW machinery to be free of defects in workmanship and materials for a period of 2 years from the date of the original retail purchase by the original owner for domestic use. Granite components are warranted for 2 years based on normal use and is void if non SCTW accessories are used that cause the break or chip. Customer must advise SCTW within 30 days for any damage or defect found upon receipt of the product to qualify for the warranty on granite.

The warranty does not cover any product used for professional or commercial production purpose nor for industrial or educational applications. Such cases are covered by our 1 year Limited Warranty with the Conditions and Exceptions listed below.

Conditions and exception:

Warranty applies to the original buyer only and may not be transferred. Original proof of purchase is required.

Warranty does not include failures, breakage or defects deemed after inspection by an Authorized Service Center, (ASC) or agent of, have been directly or indirectly caused by or resulting from improper use, lack of or improper maintenance, misuse or abuse, negligence, accidents, damage in handling or transport, or normal wear and tear of any part or component.

Additionally, warranty is void if repairs or alterations are made to the machine by an unauthorized service center without the direct consent of SCTW

Consumables such as blades, knives, bits and sandpaper are not covered.
Wear items such as drive belt, bearings, switch, are covered for 1 year.

To file a claim of warranty or to find a service center, call toll free 877-724-8665 or email customercare@steelcitytoolworks.net and you must be able to present the original or photo copy of the sales receipt including the serial number from the machine and/or carton.

SCTW will inspect, repair or replace, at its expense and its option, any part that has proven to be defective in workmanship or material, provided that the customer returns the product prepaid to a designated ASC and provides SCTW with a reasonable opportunity to verify the alleged defect by inspection. SCTW will return the product or replacement at our expense unless it is determined by us that there is no defect or that the defect resulted from causes not within the scope of our *warranty in which case we will, at your direction, dispose of or return the product.* In the event you choose to have the product returned, you will be responsible for the handling and shipping costs of the return.

SCTW furnishes the above warranties in lieu of all other warranties, express or implied. SCTW shall not be liable for any special, indirect, incidental, punitive or consequential damages, including without limitation loss of profits arising from or related to the warranty, the breach of any agreement or warranty, or the operation or use of its machinery, including without limitation damages arising from damage to fixtures, tools, equipment, parts or materials, direct or indirect loss caused by and other part, loss of revenue or profits, financing or interest charges, and claims by and third person, whether or not notice of such possible damages has been given to SCTW. Damages or any kind for any delay by or failure of SCTW to perform its obligations under this agreement or claims made a subject of a legal proceeding against SCTW more than one (1) year after such cause of action first arose.

The validity, construction and performance of this Warranty and any sale of machinery by SCTW shall be governed by the law of the Commonwealth of Pennsylvania, without regard to conflicts of law's provisions of any jurisdiction. Any action related in any way to any alleged or actual offer, acceptance or sale by SCTW or any claim related to the performance of and agreement including without limitation this Warranty, shall take place in the federal or state courts in Allegheny County, Pennsylvania.

Warranty registration card must be submitted to SCTW for purpose of proof within 90 days of purchase with a copy of the sales receipt. Failure to do so will, revert the 2 year warranty to 1 year as in the terms stated above. This registration is also needed to facilitate contact in case of a safety recall.

This warranty gives you specific legal rights and you may have other rights which vary in certain States or Provinces.

Note to user

This instruction manual is meant to serve as a guide only. Specification and references are subject to change without prior notice. Check the website www.steelcitytoolworks.com for updated manuals with reference to the VER# located on the front page.

LIMITED WARRANTY – ACCU-SHOP line of bench top tools

Steel City Tool Works, LLC (SCTW) warrants this SCTW ACCU-SHOP machinery to be free of defects in workmanship and materials for a period of 2 years from the date of the original retail purchase by the original owner for domestic use.

Consumables such as blades, knives, bits and sandpaper are not covered.

Wear items such as drive belt, bearings, switch, are covered for 1 year.

The warranty does not cover any product used for professional or commercial production purpose nor for industrial or educational applications. Such cases are covered by our 30 days Limited Warranty with the Conditions and Exceptions listed previously.

WARRANTY CARD

Name _____

Street _____

Apt. No. _____

City _____ State _____ Zip _____

Phone Number _____

E-Mail _____

Product Description: _____

Model No.: _____ Serial No.: _____

NOTE: The **Proof of Purchase** must be submitted along with this card in order to have the Warranty to take into effect. Fail to submit the Proof of Purchase may invalidate your Product Warranty.

The following information is given on a voluntary basis and is strictly confidential.

1. Where did you purchase your STEEL CITY machine?
 Store: _____
 City: _____ Online: _____

2. How did you first learn of Steel City Tool Works?
 Advertisement Mail Order Catalog
 Web Site Friend
 Local Store Other _____

3. Which of the following magazines do you subscribe to?
 American Woodworker Cabinetmaker
 Canadian Woodworking Family Handyman
 Fine Homebuilding Fine Woodworking
 Journal of Light Construction Old House Journal
 Popular Mechanics Popular Science
 Popular Woodworking Today's Homeowner
 WOOD Woodcraft
 WOODEN Boat Woodshop News
 Woodsmith Woodwork
 Woodworker Woodworker's Journal
 Workbench Other _____

4. Which of the following woodworking / remodeling shows do you watch?
 Backyard America The American Woodworker
 Home Time The New Yankee Workshop
 This Old House Woodwright's Shop
 Other _____

5. What is your annual household income?
 \$20,000 to \$29,999 \$30,000 to \$39,999
 \$40,000 to \$49,999 \$50,000 to \$59,999
 \$60,000 to \$69,999 70,000 to \$79,999
 \$80,000 to \$89,999 \$90,000 +

6. What is your age group?
 20 to 29 years 30 to 39 years
 40 to 49 years 50 to 59 years
 60 to 69 years 70 + years

7. How long have you been a woodworker?
 0 to 2 years 2 to 8 years
 8 to 20 years over 20 years

8. How would you rank your woodworking skills?
 Simple Intermediate
 Advance Master Craftsman

9. How many Steel City machines do you own? _____

10. What stationary woodworking tools do you own?
Check all that apply.
 Air Compressor Band Saw
 Drill Press Drum Sander
 Dust Collection Horizontal Boring Machine
 Jointer Lathe
 Mortiser Panel Saw
 Planer Power Feeder
 Radial Arm Saw Shaper
 Spindle Sander Table Saw
 Vacuum Veneer Press Wide Belt Sander
 Other _____

11. Which benchtop tools do you own? *Check all that apply.*
 Belt Sander Belt / Disc Sander
 Drill Press Band Saw
 Grinder Mini Jointer
 Mini Lathe Scroll Saw
 Spindle / Belt Sander Other _____

12. Which portable / hand held power tools do you own?
Check all that apply.
 Belt Sander Biscuit Jointer
 Dust Collector Circular Saw
 Detail Sander Drill / Driver
 Miter Saw Orbital Sander
 Palm Sander Portable Thickness Planer
 Saber Saw Reciprocating Saw
 Router Other _____

13. What machines / accessories would you like to see added to the STEEL CITY line?

14. What new accessories would you like to see added?

15. Do you think your purchase represents good value?
 Yes No

16. Would you recommend STEEL CITY products to a friend?
 Yes No

17. Comments:

CUT HERE

FOLD ON DOTTED LINE

PLACE
STAMP
HERE

SteelCityToolWorks
#4 Northpoint Court
Bolingbrook, IL 60440

FOLD ON DOTTED LINE

PRODUCT SPECIFICATIONS

	8" Bench Grinder	10" Bench Grinder
<u>MOTOR</u>		
Type	Induction, Ball Bearing	Induction, Ball Bearing
Horsepower	Continuous duty 3/4HP	Horsepower Continuous duty 1HP
Amps	8	10
Volts	120	120
Phase	Single	Single
Hertz	60	60
RPM	3450 (no load speed)	1725 (no load speed)
Grinding Wheel Size	8" diameter x 1" face x 1" bore	10" diameter x 1" face x 1-1/4" bore
Grinding Wheel Grit	60 (gray), 120 (white)	60 (gray), 120 (white)
Shaft Diameter	5/8"	3/4"
Arbor Bushing	1" diameter x 1" face x 3/4" bore	1-1/4" diameter x 1" face x 5/8" bore
Lamp	120V, 40 watt or less medium base or equivalent (not included)	120V, 40 watt or less medium base or equivalent (not included)
Tool Rests	Left and Right	Left and Right
Eye Shield Assembly	Left and Right (clear Lexan)	Left and Right (clear Lexan)
Spark Arrestors	Left and Right	Left and Right
Quench Tray	8-1/4" x 2-3/4" x 1"	8-1/4" x 2-3/4" x 1"
Wheel Dresser	Diamond wheel dresser	Diamond wheel dresser

PRODUCT DIMENSIONS

Length	19"	19"
Width	14"	15-1/4"
Height	13"	14-1/4"
Weight	75 Lbs.	103 Lbs.

SHIPPING DIMENSIONS

Carton Type	Cardboard Box	Cardboard Box
Length	23-1/2"	23-3/4"
Width	15"	15-1/2"
Height	14"	14-1/2"
Gross Weight	79 Lbs.	107 Lbs.

ACCESSORIES AND ATTACHMENTS

There are a variety of accessories available for your Steel City Product. For more information on any accessories associated with this and other machines, please contact your nearest Steel City distributor, or visit our website at: www.steelcitytoolworks.com.

DEFINITION OF TERMS

Inner Wheel Guard - Covers the grinding wheel and protects against accidental contact.

Wheel Dresser - Used to clean, smooth, and square front surface of the grinding wheels.

Flexible Work Light - Provides light to the operator during set-up and grinding operations.

Spark Arrestor - Minimizes hot sparks and debris from contacting the operator.

Quick Release Knob - Allows the quick change wheel cover to be removed.

Quick Change Wheel Cover - Covers the grinding wheel and provides quick access for routine maintenance.

Grinding Wheels (60 and 120 grit) - Used to remove lighter and heavier material from workpiece.

Adjustable Tool Rests - Used to support the workpiece at selected angles.

On/Off Switch - Used to provide power.

Quench Tray - Used to cool workpiece during grinding.

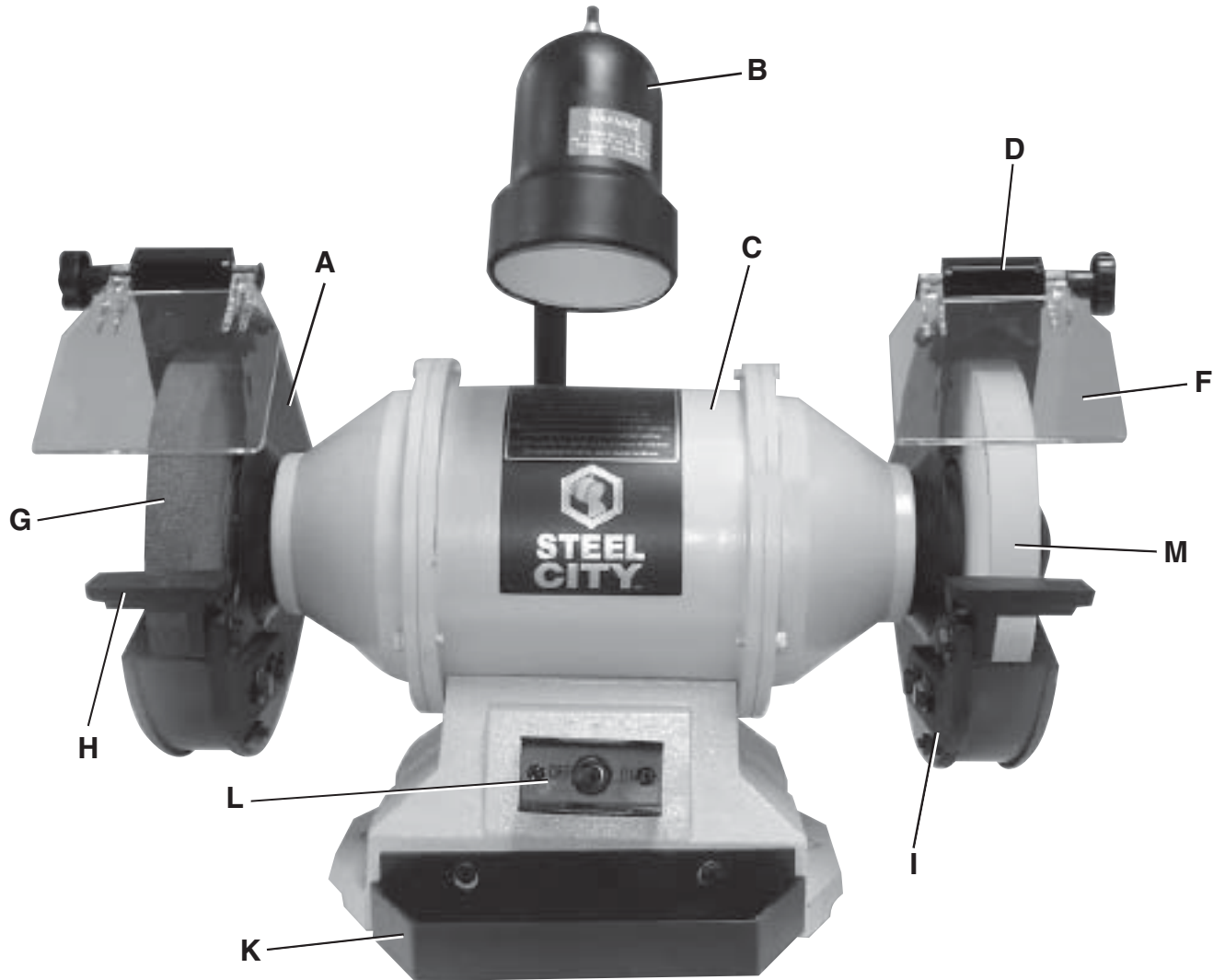
Adjustable Tool Rest Supports - Allows for repositioning of tool rests as the wheels wear smaller.

Eyeshields - Protective Lexan see-thru shields to prevent any loose debris from contacting operator.

Flanges - Used to distribute the load of the hex lock nuts in securing grinding wheels.

Arbor Hex Nut - Used to secure the grinding wheels to the grinder.

FEATURE IDENTIFICATION



- A) Inner Wheel Guard
- B) Flexible Work Light
- C) Motor Housing
- D) Spark Arrestor

- F) Eye Shield
- G) Grinding Wheel (60 Grit)
- H) Tool Rest
- I) Tool Rest Adjustable Supports

- K) Quench Tray
- L) On/Off Switch
- M) Grinding Wheel (120 Grit)

GENERAL SAFETY

⚠ WARNING

TO AVOID serious injury and damage to the machine, read and follow all Safety and Operating Instructions before assembling and operating this machine.

This manual is not totally comprehensive. It does not and can not convey every possible safety and operational problem which may arise while using this machine. The manual will cover many of the basic and specific safety procedures needed in an industrial environment.

All federal and state laws and any regulations having jurisdiction covering the safety requirements for use of this machine take precedence over the statements in this manual. Users of this machine must adhere to all such regulations.

Below is a list of symbols that are used to attract your attention to possible dangerous conditions.



This is the international safety alert symbol. It is used to alert you to potential personal injury hazards. Obey all safety messages that follow this symbol to avoid possible injury or death.

⚠ DANGER

Indicates an imminently hazardous situation which, if not avoided, **WILL** result in death or serious injury.

⚠ WARNING

Indicates a potentially hazardous situation which, if not avoided, **COULD** result in death or serious injury.

⚠ CAUTION

Indicates a potentially hazardous situation, if not avoided, **MAY** result in minor or moderate injury. It may also be used to alert against unsafe practices.

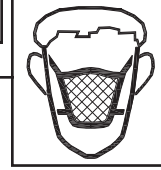
CAUTION

CAUTION used without the safety alert symbol indicates a potentially hazardous situation which, if not avoided, may result in property damage.

NOTICE

This symbol is used to alert the user to useful information about proper operation of the machine.

⚠ WARNING



Exposure to the dust created by power sanding, sawing, grinding, drilling and other construction activities may cause serious and permanent respiratory or other injury, including silicosis (a serious lung disease), cancer, and death. Avoid breathing the dust, and avoid prolonged contact with dust. The dust may contain chemicals known to the State of California to cause cancer, birth defects or other reproductive harm.

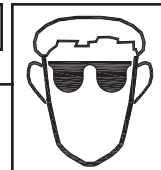
Some examples of these chemicals are:

- Lead from lead-based paints.
- Crystalline silica from bricks, cement and other masonry products.
- Arsenic and chromium from chemically-treated lumber.

Always operate tool in well ventilated area and provide for proper dust removal. Use a dust collection system along with an air filtration system whenever possible. Always use properly fitting NIOSH/OSHA approved respiratory protection appropriate for the dust exposure, and wash exposed areas with soap and water.

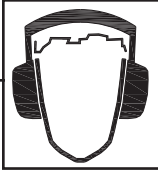
1. To avoid serious injury and damage to the machine, read the entire User Manual before assembly and operation of this machine.

⚠ WARNING



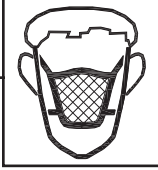
2. **ALWAYS** wear eye protection. Any machine can throw debris into the eyes during operations, which could cause severe and permanent eye damage. Everyday eyeglasses are **NOT** safety glasses. **ALWAYS** wear Safety Goggles (that comply with ANSI standard Z87.1) when operating power tools.

▲ WARNING



3. **ALWAYS** wear hearing protection. Plain cotton is not an acceptable protective device. Hearing equipment should comply with ANSI S3.19 Standards.

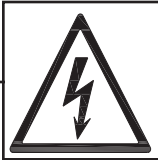
▲ WARNING



4. **ALWAYS** wear a NIOSH/OSHA approved dust mask to prevent inhaling dangerous dust or airborne particles.

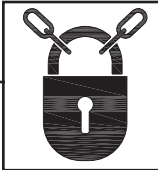
5. **ALWAYS** keep the work area clean, well lit, and organized. **DO NOT** work in an area that has slippery floor surfaces from debris, grease, and wax.
6. **ALWAYS** unplug the machine from the electrical receptacle before making adjustments, changing parts or performing any maintenance.
7. **AVOID ACCIDENTAL STARTING.** Make sure that the power switch is in the "OFF" position before plugging in the power cord to the electrical receptacle.

▲ WARNING



8. **AVOID** a dangerous working environment. **DO NOT** use electrical tools in a damp environment or expose them to rain or moisture.

▲ WARNING



9. **CHILDPROOF THE WORKSHOP AREA** by removing switch keys, unplugging tools from the electrical receptacles, and using padlocks.

10. **DO NOT** use electrical tools in the presence of flammable liquids or gasses.


11. **DO NOT FORCE** the machine to perform an operation for which it was not designed. It will do a safer and higher quality job by only performing operations for which the machine was intended.
12. **DO NOT** stand on a machine. Serious injury could result if it tips over or you accidentally contact any moving part.
13. **DO NOT** store anything above or near the machine.
14. **DO NOT** operate any machine or tool if under the influence of drugs, alcohol, or medication.
15. **EACH AND EVERY** time, check for damaged parts prior to using any machine. Carefully check all guards to see that they operate properly, are not damaged, and perform their intended functions. Check for alignment, binding or breakage of all moving parts. Any guard or other part that is damaged should be immediately repaired or replaced.
16. Ground all machines. If any machine is supplied with a 3-prong plug, it must be plugged into a 3-contact electrical receptacle. The third prong is used to ground the tool and provide protection against accidental electric shock. **DO NOT** remove the third prong.
17. Keep visitors and children away from any machine. **DO NOT** permit people to be in the immediate work area, especially when the machine is operating.
18. **KEEP** protective guards in place and in working order.
19. **MAINTAIN** your balance. **DO NOT** extend yourself over the tool. Wear oil resistant rubber soled shoes. Keep floor clear of debris, grease, and wax.
20. **MAINTAIN** all machines with care. **ALWAYS KEEP** machine clean and in good working order. **KEEP** all blades and tool bits sharp.
21. **NEVER** leave a machine running, unattended. Turn the power switch to the OFF position. **DO NOT** leave the machine until it has come to a complete stop.
22. **REMOVE ALL MAINTENANCE TOOLS** from the immediate area prior to turning the machine ON.
23. **SECURE** all work. When it is possible, use clamps or jigs to secure the workpiece. This is safer than attempting to hold the workpiece with your hands.
24. **STAY ALERT**, watch what you are doing, and use common sense when operating any machine. **DO NOT** operate any machine tool while tired or under the influence of drugs, alcohol, or medication. A moment of inattention while operating power tools may result in serious personal injury.

25. **USE ONLY** recommended accessories. Use of incorrect or improper accessories could cause serious injury to the operator and cause damage to the machine. If in doubt, **DO NOT** use it.
26. **THE USE** of extension cords is not recommended for 230V equipment. It is better to arrange the placement of your equipment and the installed wiring to eliminate the need for an extension cord. If an extension cord is necessary, refer to the chart in the Grounding Instructions section to determine the minimum gauge for the extension cord. The extension cord must also contain a ground wire and plug pin.
27. Wear proper clothing, **DO NOT** wear loose clothing, gloves, neckties, or jewelry. These items can get caught in the machine during operations and pull the operator into the moving parts. Users must wear a protective cover on their hair, if the hair is long, to prevent it from contacting any moving parts.
28. **SAVE** these instructions and refer to them frequently and use them to instruct other users.
29. Information regarding the safe and proper operation of this tool is also available from the following sources:
 - Power Tool Institute
1300 Summer Avenue
Cleveland, OH 44115-2851
www.powertoolinstitute.org
 - National Safety Council
1121 Spring Lake Drive
Itasca, IL 60143-3201
 - American National Standards Institute
25 West 43rd St, 4th Floor
New York, NY. 10036
ANSI 01.1 Safety Requirements
For Woodworking Machines
WWW.ANSI.ORG
 - U.S. Department of Labor Regulations
OSHA 1910.213 Regulations
WWW.OSHA.GOV

PRODUCT SAFETY

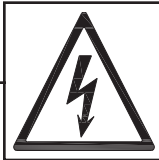
1. Serious personal injury may occur if normal safety precautions are overlooked or ignored. Accidents are frequently caused by lack of familiarity or failure to pay attention. Obtain advice from supervisor, instructor, or another qualified individual who is familiar with this machine and its operations.
2. Every work area is different. Always consider safety first, as it applies to your work area. Use this machine with respect and caution. Failure to do so could result in serious personal injury and damage to the machine.
3. Prevent electrical shock. Follow all electrical and safety codes, including the National Electrical Code (NEC) and the Occupational Safety and Health Regulations (OSHA). All electrical connections and wiring should be made by qualified personnel only.
6. Safety decals are on this machine to warn and direct you to how to protect yourself or visitors from personal injury. These decals **MUST** be maintained so that they are legible. **REPLACE** decals that are not legible.
7. **DO NOT** leave the unit plugged into the electrical outlet. Unplug the unit from the outlet when not in use and before servicing, performing maintenance tasks, or cleaning.
8. **ALWAYS** turn the power switch "OFF" before unplugging the bench grinder.

▲ WARNING



4. **TO REDUCE** the risk of electrical shock. **DO NOT** use this machine outdoors. **DO NOT** expose to rain or moisture. Store indoors in a dry area.

▲ WARNING



9. **DO NOT** handle the plug or bench grinder with wet hands.

5. **STOP** using this machine, if at any time you experience difficulties in performing any operation. Contact your supervisor, instructor or machine service center immediately.
10. **USE** accessories only recommended by Steel City.
11. **DO NOT** pull the bench grinder by the power cord. **NEVER** allow the power cord to come in contact with sharp edges, hot surfaces, oil or grease.
12. **DO NOT** unplug the bench grinder by pulling on the power cord. **ALWAYS** grasp the plug, not the cord.
13. **REPLACE** a damaged cord immediately. **DO NOT** use a damaged cord or plug. **DO NOT** use if the bench grinder is not operating properly, or has been damaged, left outdoors or has been in contact with water.

14. **DO NOT** use the bench grinder as a toy. **DO NOT** use near or around children.
15. **ALWAYS** wear eye protection. The operation of any grinder can result in debris being thrown into your eyes, causing severe eye damage. Everyday glasses are not safety glasses. Wear safety glasses that comply with ANSI standard Z87.1
16. **ALWAYS** use the eye shields and wheel guards provided with the grinder.
17. **REPLACE** a cracked or damaged grinding wheel immediately. A damaged wheel can discharge debris at a high velocity towards the operator. Carefully handle the grinding wheel since it is abrasive. Prior to replacing a grinding wheel, check it for cracks. Do not remove the labels from a grinding wheel. Tighten the spindle nut just enough to hold the grinding wheel firmly to the bench grinder. Do not overtighten, excessive clamping force can damage the grinding wheel. Only use the wheel flanges provided with the grinder. When selecting a replacement grinding wheel, verify that the grinding wheel has a higher RPM rating than the maximum RPM of the bench grinder.
18. **BE AWARE** that the diameter of a grinding wheel will decrease with use. Adjust the tool rests and spark arrestors to maintain a distance of 1/16" from the wheel.
19. **DO NOT** stand in front of the bench grinder when starting it. Stand to one side and turn the bench grinder ON. Wait at the side for one minute until the grinder comes up to full speed. There is always a possibility that debris from a damaged grinding wheel may be discharged toward the operator.
20. Sparks and debris are normally produced during grinding operations. **BE SURE** that there are not any flammable materials in the vicinity. Frequently clean grinding dust from the back of bench grinder.
21. **NEVER** force the workpiece against a grinding wheel, especially if the wheel is cold. Apply the workpiece slowly, allowing the grinding wheel an opportunity to warm up. This will minimize the chance of wheel breakage. **DO NOT** grind using the sides of the grinding wheels. **DO NOT** apply coolant directly to the grinding wheel.
22. **NEVER** use the bench grinder with the wheel guards removed.
23. **ALWAYS** keep the tool rests firmly tightened.
24. **ALWAYS** use the supplied wheel dresser to re-surface the grinding wheel faces.

ELECTRICAL REQUIREMENTS

TO PREVENT electrical shock, follow all electrical and safety codes, including the National Electrical Code (NEC) and the Occupational Safety and Health Regulations (OSHA). All electrical connections and wiring should be made by qualified personnel only.

TO REDUCE the risk of electrical shock, **DO NOT** use machine outdoors. **DO NOT** expose to rain or moisture. Store indoors in a dry area.

DO NOT connect the machine to the power source before you have completed the set up process.

DO NOT connect the machine to the power source until instructed to do so.

The motors in these machines are designed to run on 120 volts.

GROUNDING INSTRUCTIONS

⚠ WARNING



This machine **MUST BE GROUNDED** while in use to protect the operator from electric shock.

In the event of a malfunction or breakdown, **GROUNDING** provides the path of least resistance for electric current and reduces the risk of electric shock. The plug **MUST** be plugged into a matching electrical receptacle that is properly installed and grounded in accordance with **ALL** local codes and ordinances.

If a plug is provided with your machine **DO NOT** modify the plug. If it will not fit your electrical receptacle, have a qualified electrician install the proper connections to meet all electrical codes local and state. All connections must also adhere to all of OSHA mandates.

IMPROPER ELECTRICAL CONNECTION of the equipment-grounding conductor can result in risk of electric shock. The conductor with the green insulation (with or without yellow stripes) is the equipment-grounding conductor. **DO NOT** connect the equipment-grounding conductor to a live terminal.

Check with a qualified electrician or service personnel if you do not completely understand the grounding instructions, or if you are not sure the tool is properly grounded.

Fig. A

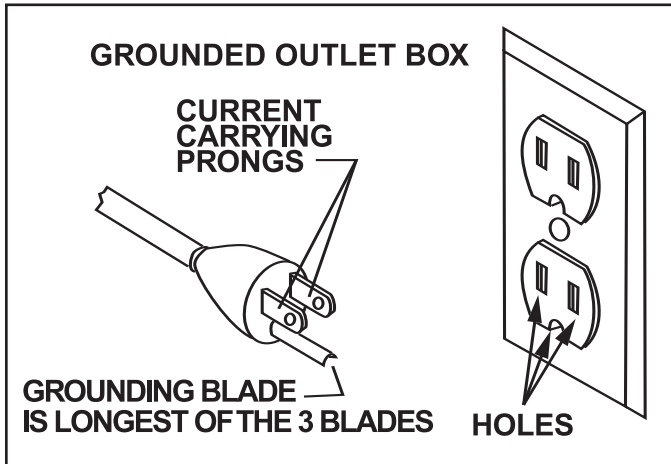
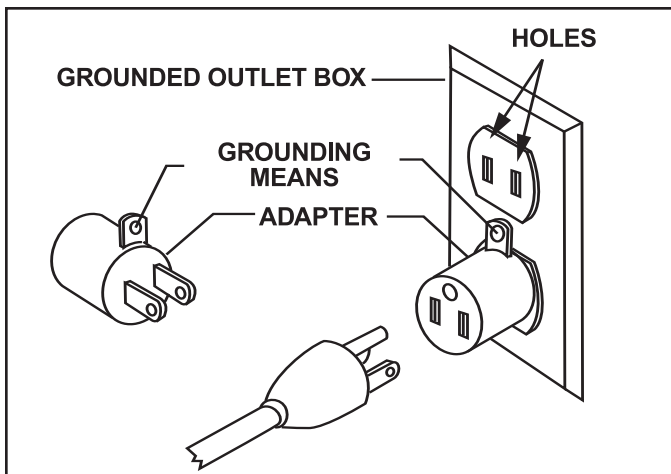


Fig. B



PLUGS/RECEPTACLES

⚠ WARNING



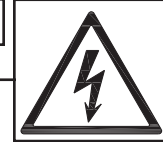
- Electrocutation or fire could result if this machine is not grounded properly or if the electrical configuration does not comply with local and state electrical codes.
- **MAKE CERTAIN** the machine is disconnected from power source before starting any electrical work.
- **MAKE SURE** the circuit breaker does not exceed the rating of the plug and receptacle.

The motor supplied with your machine is a 120 volt, 60 hertz, single phase motor. Never connect the green or ground wire to a live terminal.

A machine with a 120 volt plug should only be connected to an outlet having the same configuration as the plug.

EXTENSION CORDS

⚠ WARNING



To reduce the risk of fire or electrical shock, use the proper gauge of extension cord. When using an extension cord, be sure to use one heavy enough to carry the current your machine will draw.

The smaller the gauge-number, the larger the diameter of the extension cord is. If in doubt of the proper size of an extension cord, use a shorter and thicker cord. An undersized cord will cause a drop in line voltage resulting in a loss of power and overheating.

⚠ CAUTION

USE ONLY a 3-wire extension cord that has a 3-prong grounding plug and a 3-pole receptacle that accepts the machine's plug.

If you are using an extension cord outdoors, be sure it is marked with the suffix "W-A" ("W" in Canada) to indicate that it is acceptable for outdoor use.

Make certain the extension cord is properly sized, and in good electrical condition. Always replace a worn or damaged extension cord immediately or have it repaired by a qualified person before using it.

Protect your extension cords from sharp objects, excessive heat, and damp or wet areas.

MINIMUM RECOMMENDED GAUGE FOR EXTENSION CORDS (AWG)

120 VOLT OPERATION ONLY				
	25' LONG	50' LONG	100' LONG	150' LONG
0 to 6 Amps	18 AWG	16 AWG	16 AWG	14 AWG
6 to 10 Amps	18 AWG	18 AWG	14 AWG	12 AWG
10 to 12 Amps	16 AWG	16 AWG	14 AWG	12 AWG

UNPACKING & INVENTORY

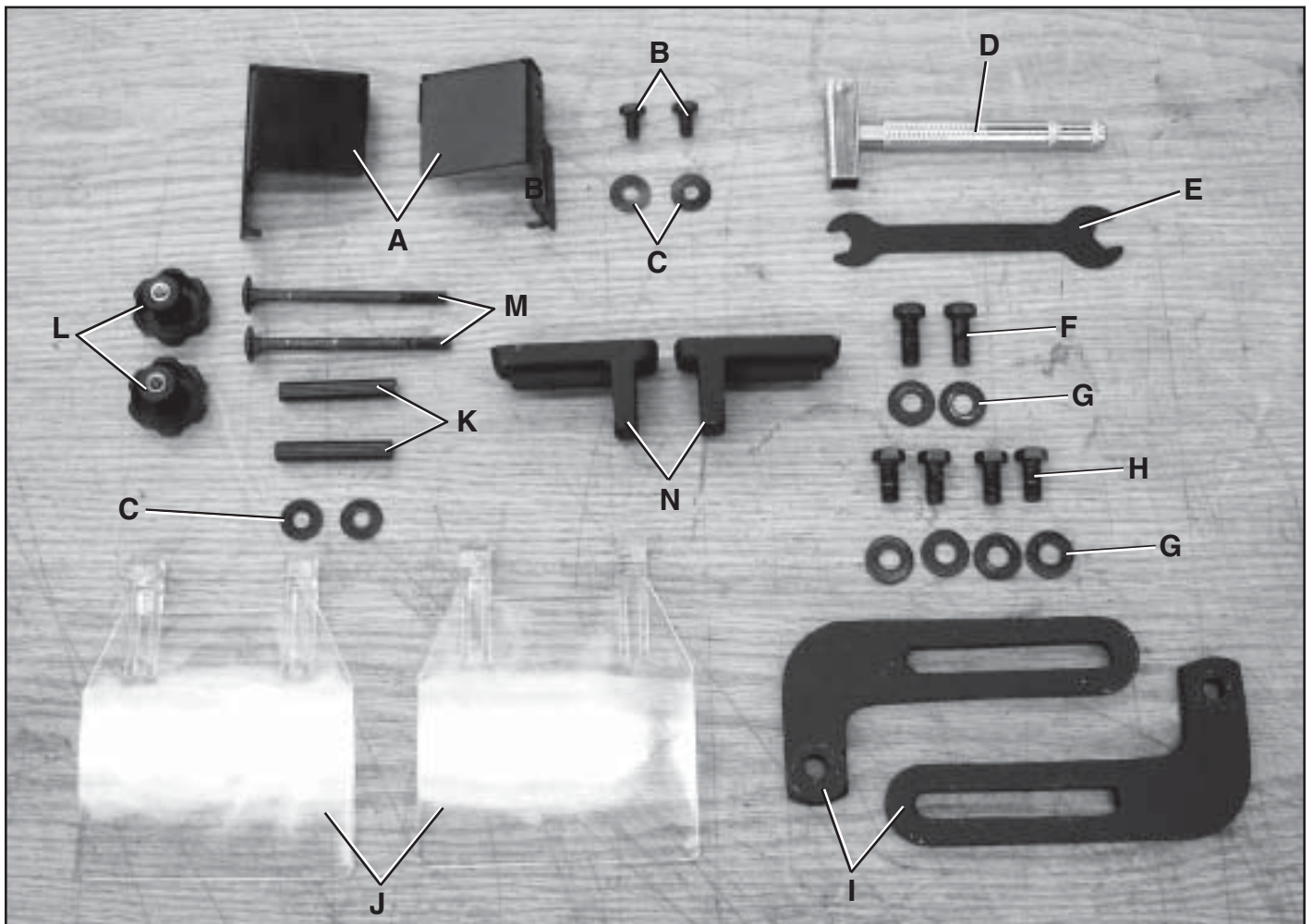
Check shipping carton and machine for damage before unpacking. Carefully remove packaging materials, parts and machine from shipping carton. Always check for and remove protective shipping materials around motors and moving parts. Lay out all parts on a clean work surface.

Remove any protective materials and coatings from all of the parts and the table saw. The protective coatings can be removed by spraying WD-40 on them and wiping it off with a soft cloth. This may need redone several times before all of the protective coatings are removed completely.

Compare the items to inventory figures; verify that all items are accounted for before discarding the shipping box.

⚠ WARNING

If any parts are missing, do not attempt to plug in the power cord and turn "ON" the machine. The machine should only be turned "ON" after all the parts have been obtained and installed correctly. For missing parts, contact Steel City at 1-877-SC4-TOOL.



A) Spark Arrestors (2)

B) M6 x 6mm Hex Head Screws

C) M6 Flat Washers (4)

D) Diamond Wheel Dresser

E) Special Wrench

F) M8 x 20mm Hex Head Screws (2)

G) M8 Flat Washers (6)

H) M8 x 15mm Hex Head Screws (4)

I) Tool Rest Supports (2)

J) Eyeshields (2)

K) Spacers (2)

L) Eyeshield Knobs (2)

M) Carriage Bolts (2)

N) Tool Rests (2)

ASSEMBLY

⚠ WARNING

MAKE CERTAIN THAT THE GRINDER IS DISCONNECTED FROM THE POWER SOURCE BEFORE ANY ASSEMBLY IS STARTED.

An open end wrench is required for assembly of the tool rests and spark arrestors.

- **DO NOT** assemble the bench grinder until you are sure the tool is not plugged in.
- **DO NOT** assemble the bench grinder until you are sure the power switch is in the OFF position.
- **DO NOT** assemble the bench grinder until you are sure the grinding wheels are firmly tightened to the bench grinder.

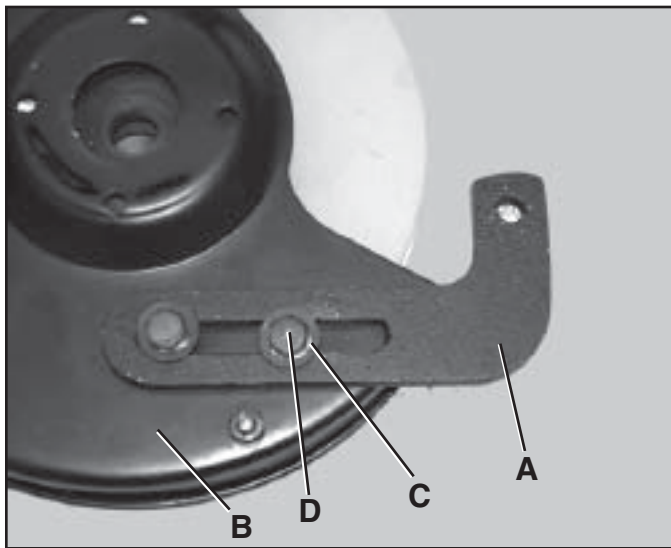
TOOL RESTS

The bench grinders are provided with two tool rest assemblies, the left and the right.

Remove tool rest assemblies from the plastic bags and confirm that you have the following:

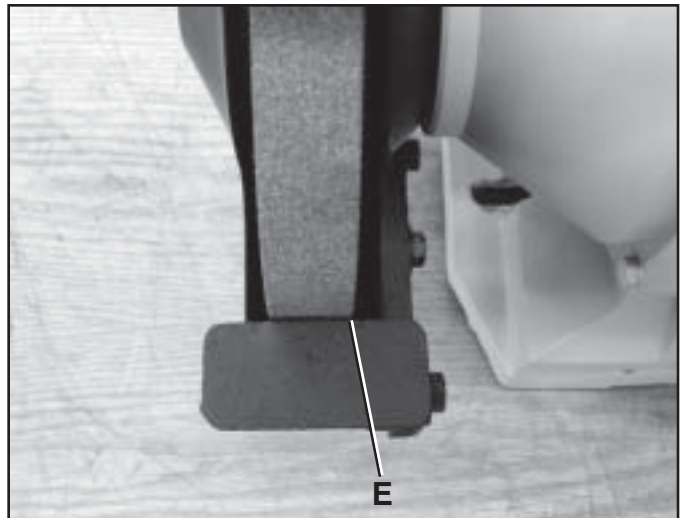
- left side tool rest and tool rest support
- right side tool rest and tool rest support
- flat washers (6)
- hex head screws (4)
- adjustment bolts (2)

Fig. 5



1. Assemble the tool rest supports (A) to the inside surface of the wheel covers (B) with flat washers (C) and hex screws (D) as shown. **SEE FIG. 5.**

Fig. 6



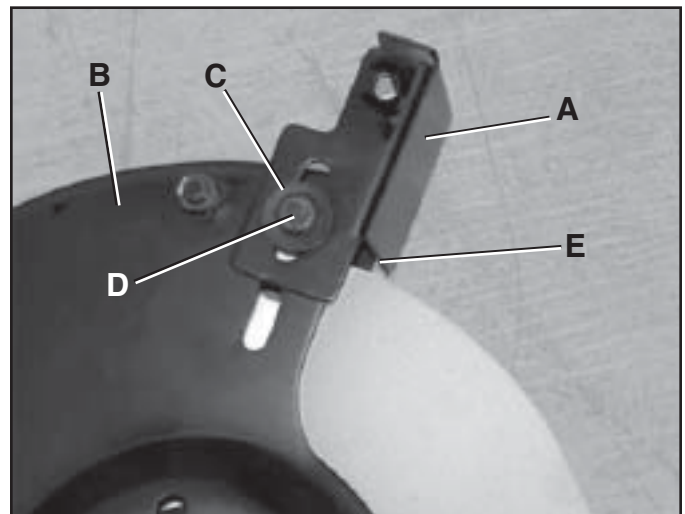
2. Adjust each tool rest until its inside edge (E) is 1/16" from the grinding wheel. Firmly tighten the hex head screws holding the tool rest supports. **SEE FIG. 6.**

SPARK ARRESTORS

Remove spark arrestor assemblies from the plastic bags and confirm that you have the following:

- left side spark arrestor
- right side spark arrestor
- flat washers (2)
- hex head screws (2)

Fig. 7



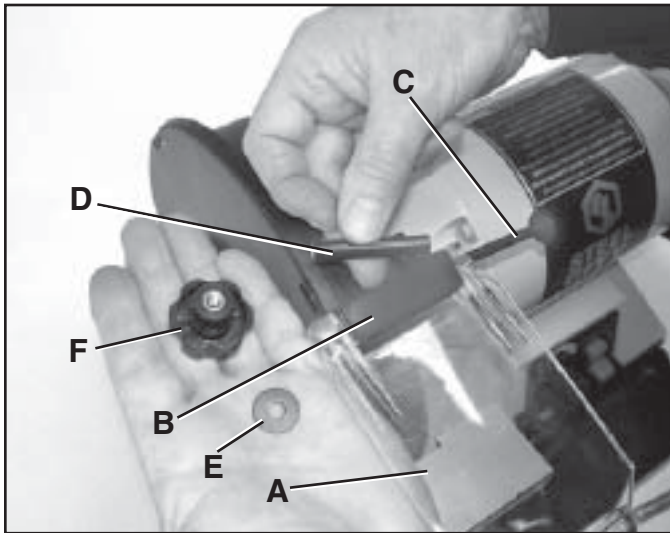
1. Assemble the spark arrestors (A) to the inside surface of the wheel covers (B) with the flat washers (C) and hex screws (D) as shown. **SEE FIG. 7.**
2. Adjust each spark arrestor until the lower edge (E) is 1/16" from the grinding wheel. Firmly tighten the hex head screws (D).

EYE SHIELDS

Remove eye shield assemblies from the plastic bags and confirm that you have the following:

- eye shields (2)
- lock knobs (2)
- spacers (2)
- flat washers (2)
- carriage head screws (2)

Fig. 8



1. Assemble the eyeshield (A) to the spark arrester (B). Insert carriage head screw (C) through eye shield, spark arrester, and the spacer (D). **SEE FIG. 8.**
2. Install the flat washer (E) and lock knob (F) to the carriage head screw and tighten until the eyeshield remains in the desired position.

QUENCH TRAY

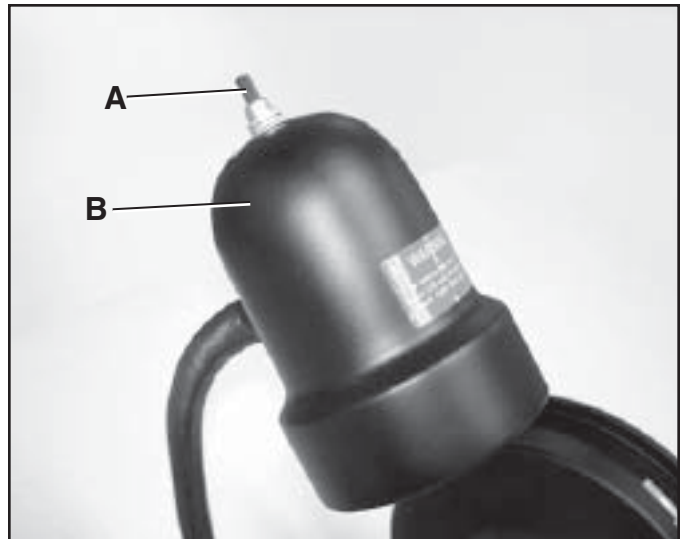
The Quench Tray is provided to cool the workpiece during and after grinding operations.

1. Attach the Quench Tray to base of the Bench Grinder as shown.
2. Tighten the two screws.
3. Partially fill the Quench Tray with water. **DO NOT** overfill! **DO NOT** use any other liquid in the Quench Tray other than water.
4. Place the workpiece into the water after performing the grinding operation to cool it.
5. **DO NOT** put any water directly onto the grinding wheels.

WORK LIGHT

- The bench grinder is provided with a flexible work light to assist in visibility of the work piece.
 - The bench grinder is **NOT** provided with a light bulb for the flexible work light.
1. The flexible work light may be turned ON or OFF by using the rotary switch (A) on the top surface of the housing (B). The switch can be rotated in the clockwise direction only. **SEE FIG. 9.**

Fig. 9



NOTE: The flexible work light can be operated independent of the bench grinder.

CAUTION: The flexible work light housing will remain hot for a few minutes after turning it OFF. Avoid contact with housing until it is cool.

PERMANENT MOUNTING

You should firmly attach the Bench Grinder to a solid work surface or heavy-duty stand (hardware not included).

▲ WARNING

If the Bench Grinder is not securely mounted, it will have the ability to move or tip over during grinding operations and possibly cause the operator's fingers to contact the grinding wheels.

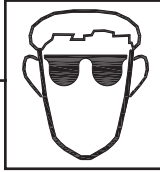
DUST PORT

There is a dust port located on the inner side of each Inner Wheel Guard. These dust ports allow the grinding dust to exit the wheel cavity.

If you choose to attach the dust ports to a dust collection system, make sure the dust collector is rated and configured for your grinding operation.

ADJUSTMENTS

⚠ WARNING



ALWAYS wear eye protection.

⚠ WARNING



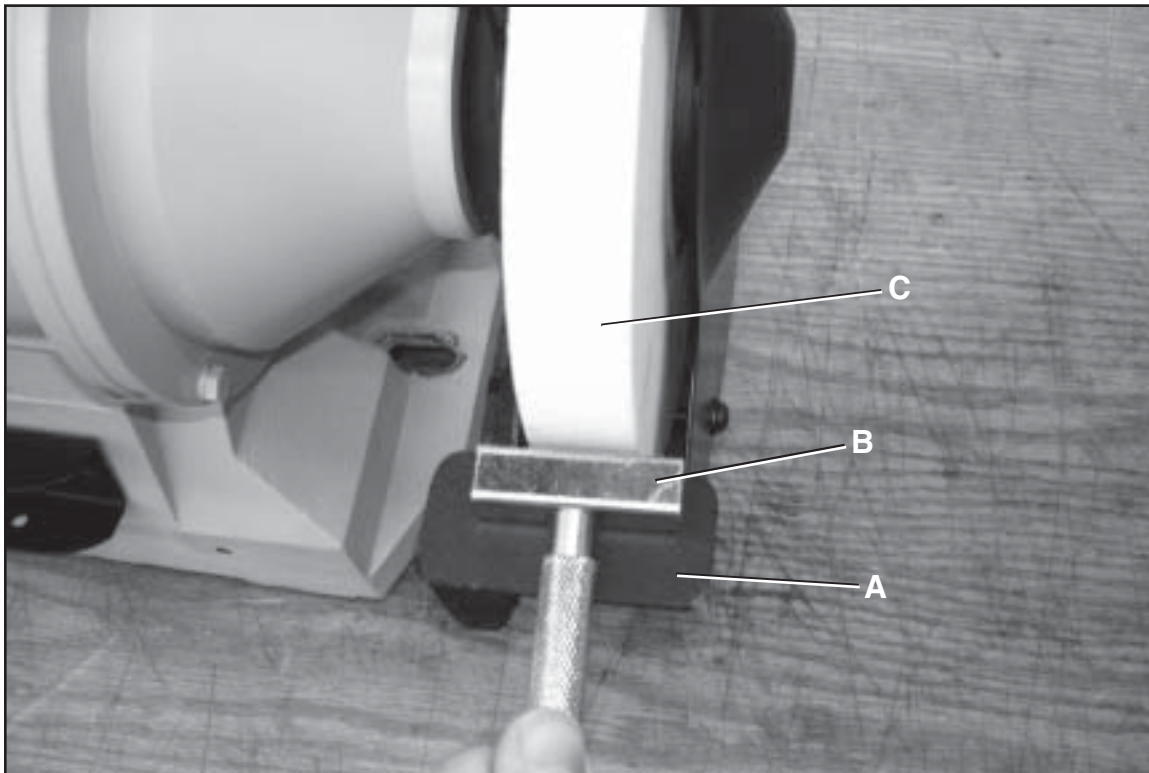
DO NOT touch grinding wheels with fingers.

USING THE WHEEL DRESSER

The wheel dresser is to be used on the grinding wheels. It will remove buildup of material on the grinding wheel, remove imperfections, and make the corners of the grinding wheel square. **DO NOT** use the wheel dresser on the wire wheel!

1. Adjust tool rest (A) until it is in the level horizontal position as shown and 1/16" away from the grinding wheel. **SEE FIG. 10.**
2. Turn ON the bench grinder, and after the grinding wheel has gotten to a steady speed, place the wheel dresser (B) flat on the tool rest with diamond surface facing the grinding wheel.
3. Firmly hold onto the wheel dresser handle.
4. Move the wheel dresser forward until the diamond surface comes in contact with the grinding wheel (C). After contact has been made, slide the wheel dresser side to side across the tool rest to DRESS the grinding wheel until the edges are square and the surface is clean.
5. After the operator has completed dressing the grinding wheel, turn OFF the bench grinder and let the grinding wheel come to a complete stop.
6. Inspect the grinding wheel for any damage.
7. The grinding wheel may now be slightly smaller in diameter after dressing. Readjust the tool rests and spark arrestors to maintain a 1/16" clearance to the grinding wheel.

Fig. 10



CHANGING THE GRINDING WHEEL

Due to normal wear, grinding wheels will occasionally need replaced.

1. Turn the power switch OFF and unplug the power cord from its power source.
2. Rotate the eyeshields to the UP position for access to the tool rests.
3. Remove the three screws (A), six flat washers (B), three lock washers (C), and three nuts (D) holding the outer wheel covers (E) to the bench grinder. **SEE FIG. 11.**
4. Remove the outer wheel covers.
5. Place a small wooden wedge between the abrasive wheel (F) and tool rest to prevent the wheels from rotating.
6. Remove the right side grinding wheel by turning the lock-nut (H) in the counterclockwise direction with an open-end wrench (not included). The left side wheel can be removed by turning the lock-nut in the clockwise direction with an open-end wrench.
7. Remove the outer wheel flange (I) and then remove the abrasive wheel from the arbor shaft (J). The arbor bushing (K) should be saved, for future use, if the replacement wheel does not use this bushing. The inner wheel flange (L) does not need to be removed.
8. **CAUTION:** The new abrasive wheel to be put on the bench grinder must have a higher RPM rating than the bench grinder. The label on the side of the abrasive wheels must stay on. **DO NOT** remove this label.
9. Replace the abrasive wheel, outer wheel flange, and the lock-nut in reverse order from removal.

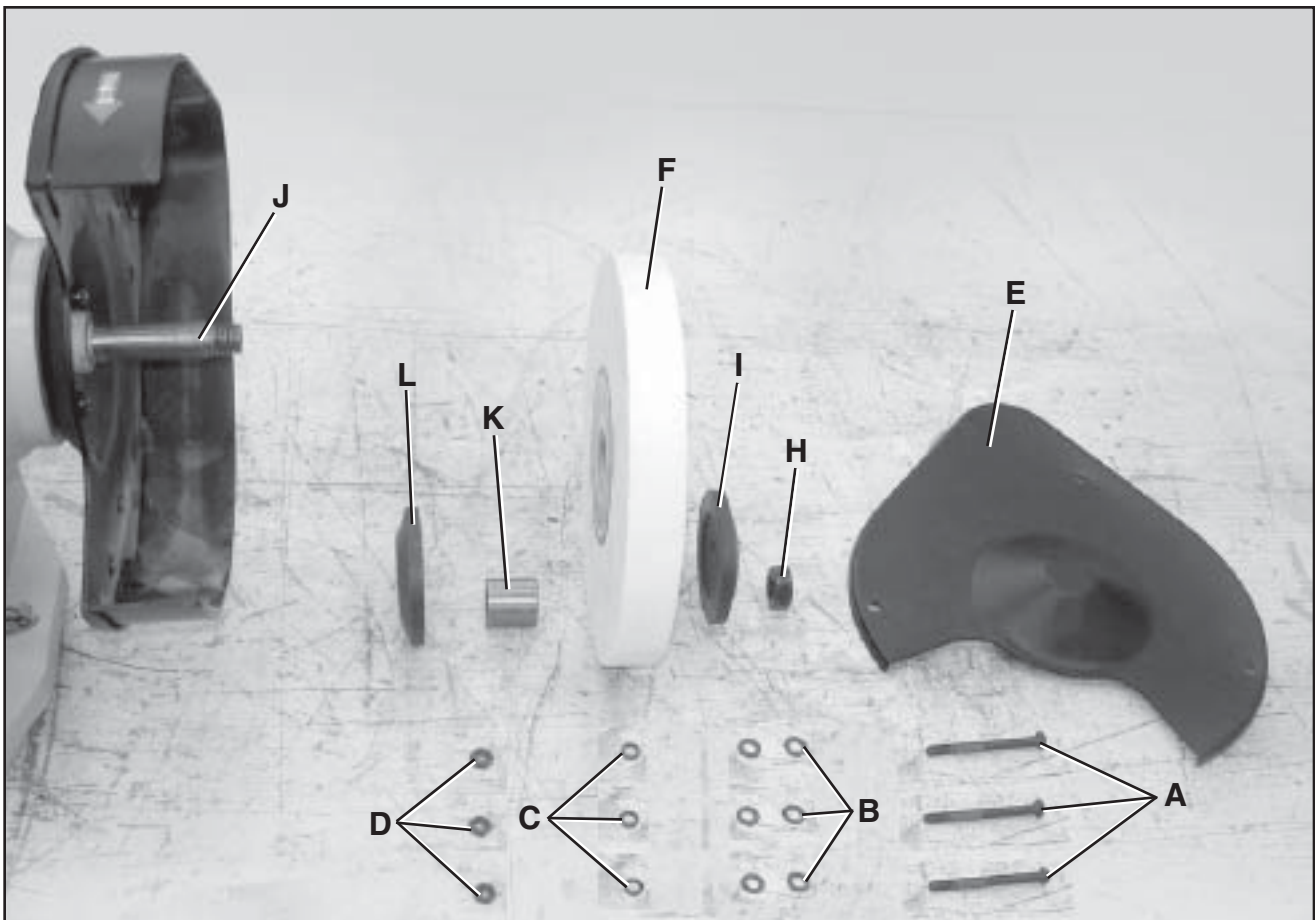
⚠ CAUTION

DO NOT OVER-TIGHTEN the lock nut as this may damage the abrasive wheels and cause serious injury to the operator.

NOTE: A wire wheel or a buffing wheel can be used with your grinder. Depending on the thickness of the wheel, you will need to add one or more spacers (not included) to allow the arbor hex nut to tighten correctly. These spacers are identical to each other.

One spacer should always go onto the arbor shaft first. The second spacer, if needed, will go on next to the arbor hex nut. Always use the wheel flanges that come with the grinder (for wire wheel or buffing wheel).

Fig. 11

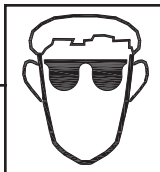


OPERATIONS

⚠ WARNING

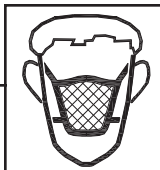
MAKE CERTAIN THAT THE BENCH GRINDER IS DISCONNECTED FROM THE POWER SOURCE.

⚠ WARNING



ALWAYS wear eye protection. Any machine can throw debris into the eyes during operations, which could cause severe and permanent eye damage. Everyday eyeglasses are **NOT** safety glasses. **ALWAYS** wear Safety Goggles (that comply with ANSI standard Z87.1) when operating power tools.

⚠ WARNING



ALWAYS wear a NIOSH/OSHA approved dust mask to prevent inhaling dangerous dust or airborne particles.

NOTICE

The following section was designed to give instructions on the basic operations of this bench grinder. However, it is in no way comprehensive of every grinder application. It is strongly recommended that you read books, trade magazines, or get formal training to maximize the potential of your grinder and to minimize the risks.

The bench grinder is designed for hand held grinding, sharpening, and cleaning operations.

ALWAYS wear eye protection. Hot sparks are produced during grinding operations.

1. The power switch must be in the OFF position.
2. Stand to the side of bench grinder and plug in the power cord to a suitable power source.
3. Remain to the side of the bench grinder and turn it ON.
4. Allow the grinding wheels to come up to a steady speed for at least a minute.
5. The flexible work light may be turned ON, if desired.
6. Adjust the eye shields. Place the workpiece on the appropriate tool rest for the desired operation.
7. Move the workpiece towards the grinding wheel until it lightly touches the wheel. Move the workpiece back and forth across the front surface of the grinding wheel, removing the amount of material desired.

⚠ WARNING

TO AVOID SERIOUS INJURY, NEVER GRIND ON THE SIDES OF THE GRINDING WHEELS.

8. The operator may place the hot end of the workpiece into the water in the quench tray to cool it
9. After completing the grinding operations, turn OFF the bench grinder. **CAUTION:** it will take a few minutes for the grinding wheels to come to a complete stop.
10. Avoid contact with grinder housing until it is cool. Unplug the bench grinder from the power source.

NOTE: To prevent unauthorized use of the bench grinder, the power switch has a removable locking key. With the power switch in the OFF position, pull the locking key out. The bench grinder cannot be turned ON with the key removed. Insert the locking key to resume grinding operations.

MAINTENANCE

⚠ WARNING

TURN THE POWER SWITCH OFF AND UNPLUG THE POWER CORD FROM ITS POWER SOURCE PRIOR TO ANY MAINTENANCE.

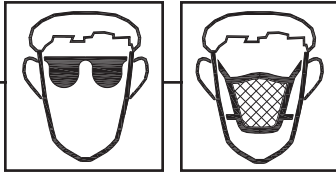
LUBRICATION

The bench grinder has sealed, lubricated bearings in the motor housing that do not require any additional lubrication by the operator.

CLEANING

With the bench grinder unplugged, rotate the abrasive wheels slowly and inspect for any damaged or trapped shavings.

⚠ WARNING



BE SURE to wear protective eyewear and dust mask when cleaning the grinder.

CAUTION: Replace the abrasive wheels if there is any damage at all. **FAILURE** to replace a damaged wheel can cause serious injury to the operator.

CAUTION: Do not use flammable materials to clean the bench grinder. A clean dry rag or brush is all that is needed to remove dust and debris buildup.

⚠ WARNING

Repairs to the bench grinder should be performed by trained personnel only. Unauthorized repairs or replacements with non-factory parts could cause serious injury to the operator and damage to the bench grinder.

TROUBLESHOOTING GUIDE

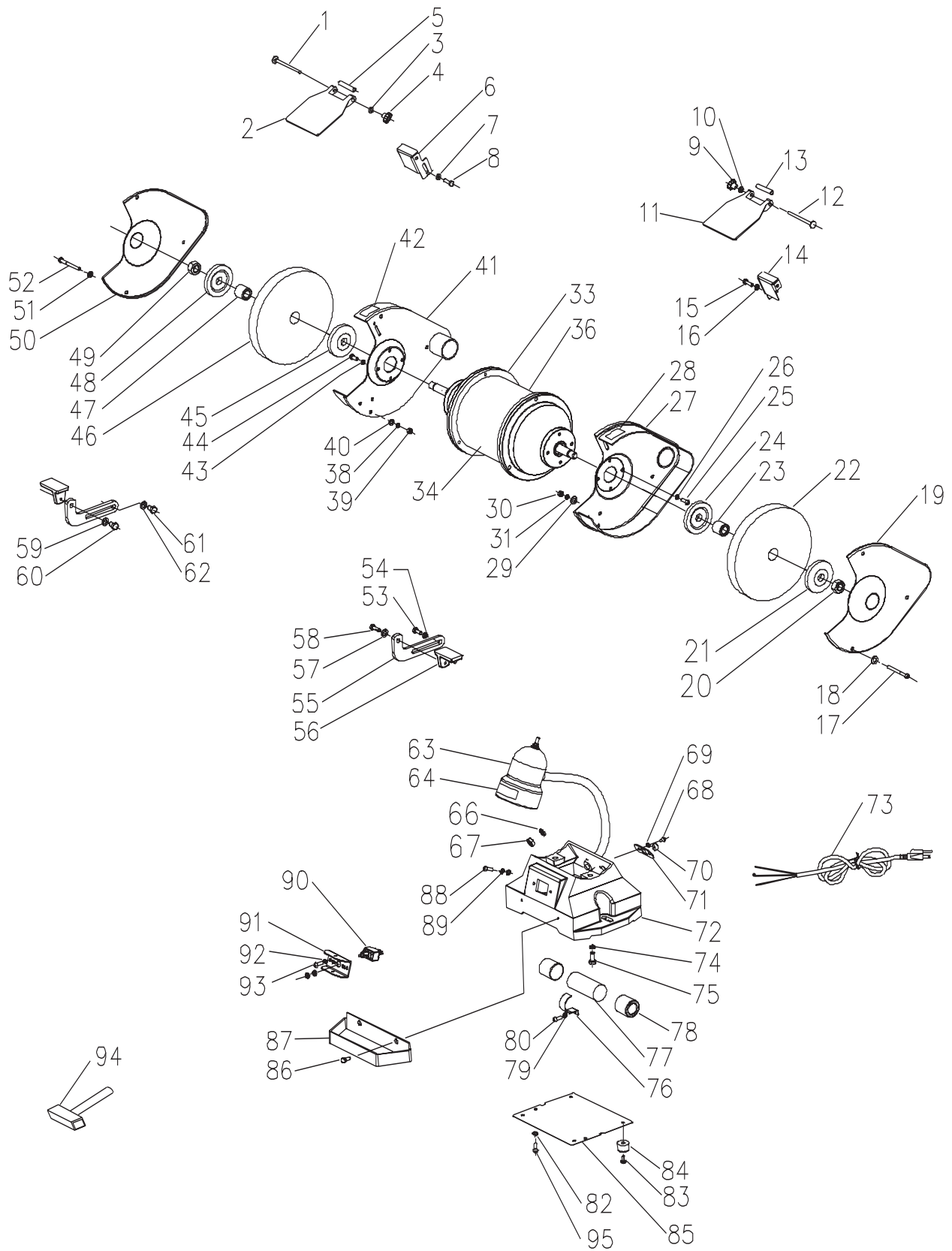
To prevent injury to yourself or damage to the bench grinder, turn the switch to the OFF position and unplug the power cord from the electrical receptacle before making any adjustments.

PROBLEM	LIKELY CAUSE(S)	SOLUTION
Motor does not run.	<ol style="list-style-type: none"> 1. Machine not plugged in. 2. Power switch in OFF position. 3. Power cord is faulty. 4. Fuses or circuit breaker is open. 5. Damaged motor. 	<ol style="list-style-type: none"> 1. Plug power cord into electrical receptacle. 2. Flip switch to ON position. 3. Replace power cord. 4. Overloaded electrical circuit. 5. Return to SCTW distributor.
Motor does not have full power.	<ol style="list-style-type: none"> 1. Incorrect line voltage. 2. Damaged motor. 	<ol style="list-style-type: none"> 1. Have a qualified electrician check line for proper voltage. 2. Return to SCTW distributor.
Motor runs hot.	<ol style="list-style-type: none"> 1. Motor is overloaded. 2. Poor air circulation around motor. 	<ol style="list-style-type: none"> 1. Reduce pressure on workpiece. 2. Remove any blockage around motor.
Motor stalls or runs slow.	<ol style="list-style-type: none"> 1. Motor is overloaded. 2. Incorrect line voltage. 3. Capacitor has failed. 	<ol style="list-style-type: none"> 1. Reduce pressure on workpiece. 2. Have a qualified electrician check line for proper voltage. 3. Replace capacitor.
Fuse blows or circuit breaker trips.	<ol style="list-style-type: none"> 1. Motor overloaded. 2. Overloaded electrical circuit breaker. 3. Wrong fuse or circuit breaker. 4. Undersized or excessive length of extension cord, see manual. 5. Grinding wheels are blocked. 	<ol style="list-style-type: none"> 1. Reduce pressure on workpiece. 2. Reduce the amount of items on circuit. 3. Replace with correct fuse or circuit breaker. 4. Use correct size. 5. Unplug machine and remove obstruction.

◆ NOTES ◆

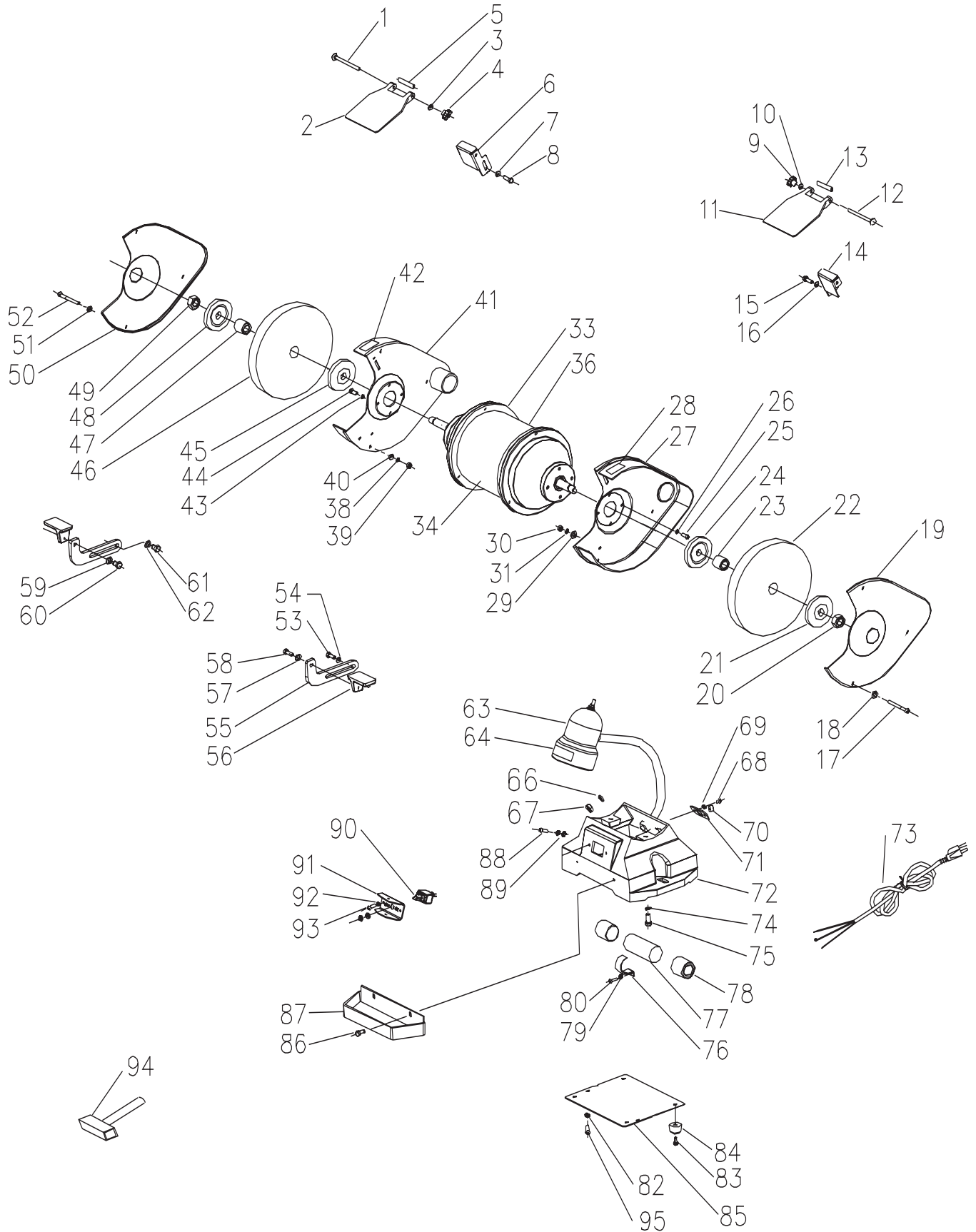
PARTS

Model 15400



KEY NO.	PART NO.	DESCRIPTION	QTY.	KEY NO.	PART NO.	DESCRIPTION	QTY.
1	OR90055	M6 x 80mm CARRIAGE HD SCREW	1	52	OR90567	PAN HD SCREW M6 x 60mm	3
2	OR90152	EYESHIELD	1	53	OR93917	HEX HD SCREW M8 x 20mm	2
3	OR90059	M6mm FLAT WASHER	1	54	OR90311	M8mm FLAT WASHER	2
4	OR90001	M6mm KNOB	1	55	OR71426	TOOL REST SUPPORT	2
5	OR90002	SPACER	1	56	OR71427	TOOL REST	2
6	OR90488	SPARK ARRESTOR-L.H	1	57	OR90311	M8mm FLAT WASHER	1
7	OR90059	M6mm FLAT WASHER	1	58	OR93917	HEX HD SCREW M8 x 20mm	1
8	OR90530	M6 x 10mm HEX HD SCREW	1	59	OR90311	M8mm FLAT WASHER	1
9	OR90001	M6mm KNOB	1	60	OR93917	HEX HD SCREW M8 x 20mm	1
10	OR90059	M6mm FLAT WASHER	1	61	OR93917	HEX HD SCREW M8 x 20mm	1
11	OR90152	EYESHIELD	1	62	OR90311	M8mm FLAT WASHER	1
12	OR90055	M6 x 80mm CARRIAGE HD SCREW	1	63	OR71428	LIGHT ASSY, INCL:	1
13	OR90002	SPACER	1	64	OR90544	LIGHT WARNING LABEL	1
14	OR90489	SPARK ARRESTOR-R.H	1	66	OR90227	M10mm LOCK WASHER	1
15	OR90530	M6 x 10mm HEX HD SCREW	1	67	OR90228	M10x1mm HEX NUT	1
16	OR90059	M6mm FLAT WASHER	1	68	OR90507	PAN HD SCREW M5 x 8mm	2
17	OR90567	PAN HD SCREW M6x60mm	3	69	OR90362	M5 EXT TOOTH WASHER	2
18	OR90059	M6mm FLAT WASHER	3	70	OR71429	CORD CLAMP	1
19	OR71422	OUTER WHEEL GUARD-RH	1	71	OR71430	CLAMP PLATE	1
20	OR94170	HEX NUT M14	1	72	OR71431	BASE	1
21	OR90519	WHEEL FLANGE	1	73	OR71432	CORDSET	1
22	OR71420	GRINDING WHEEL 120 GRIT-8"DIA x 1"WIDE x 1"BORE	1	74	OR90248	M8mm LOCK WASHER	2
23	OR90525	WHEEL BUSHING	1	75	OR90504	HEX HD SCREW M8 x 18mm	2
24	OR90519	WHEEL FLANGE	1	76	OR71433	CLAMP	1
25	OR90501	PAN HD SCREW M6 x 16mm	4	77	OR71434	CAPACITOR (150°F)	1
26	OR90502	M6mm LOCK WASHER	4	78	OR71435	END CAP	2
27	OR71423	INNER WHEEL GUARD ASSEMBLY-RIGHT, INCL:	1	79	OR90362	M5 EXT TOOTH WASHER	1
28	OR90526	ROTATION LABEL	1	80	OR90507	PAN HD SCREW M5 x 6mm	1
29	OR90059	M6mm FLAT WASHER	3	82	OR90362	M5 EXT TOOTH WASHER	2
30	OR90235	HEX NUT M6	3	83	OR90863	PAN HD SCREW M5 x 12mm	4
31	OR90502	M6mm LOCK WASHER	3	84	OR71436	PAD	4
33	OR70419	MOTOR ASSEMBLY, INCL:	1	85	OR71437	BASE PLATE	1
34	OR70366	NAME PLATE LABEL	1	86	OR90333	M6 x 10mm HEX HD SCREW	2
36	OR70313	SPEC LABEL	1	87	OR71438	WATER TRAY	1
38	OR90502	M6mm LOCK WASHER	3	88	OR90505	PAN HD SCREW M5 x 12mm	2
39	OR90235	HEX NUT M6	3	89	OR90362	M5 EXT TOOTH WASHER	4
40	OR90059	M6mm FLAT WASHER	3	90	OR71439	SWITCH	1
41	OR71421	INNER WHEEL GUARD ASSEMBLY-LEFT, INCL:	1	91	OR71424	SWITCH PLATE	1
42	OR90526	ROTATION LABEL	1	92	OR90362	M5 EXT TOOTH WASHER	2
43	OR90502	M6mm LOCK WASHER	4	93	OR90507	PAN HD SCREW M5 x 8mm	2
44	OR91826	PAN HD SCREW M6 x 16mm	4	94	OR71440	DIAMOND WHEEL DRESSER	1
45	OR90519	WHEEL FLANGE	1	95	OR90507	PAN HD SCREW M5 x 8mm	2
46	OR90551	GRINDING WHEEL60 GRIT-8"DIA x 1"WIDE x 1"BORE	1	96	OR90050	10mm x 12mm OPEN END WRENCH (NOT SHOWN)	1
47	OR90525	WHEEL BUSHING	1	97	OR90510	BEARING (NOT SHOWN)	2
48	OR90519	WHEEL FLANGE	1	98A	OR71441	OWNERS MANUAL (NOT SHOWN)	1
49	OR90498	HEX NUT M14-LEFT HAND	1	98B	OR71442	OWNERS MANUAL (SPANISH, NOT SHOWN)	1
50	OR71425	OUTER WHEEL GUARD-LH	1	98C	OR71443	OWNERS MANUAL (FRENCH, NOT SHOWN)	1
51	OR90059	M6mm FLAT WASHER	3				

Model 15410



KEY NO.	PART NO.	DESCRIPTION	QTY.	KEY NO.	PART NO.	DESCRIPTION	QTY.
1	OR90055	M6 x 80mm CARRIAGE HD SCREW	1	51	OR90059	M6mm FLAT WASHER	3
2	OR90152	EYESHIELD	1	52	OR90567	PAN HD SCREW M6 x 60mm	3
3	OR90059	M6mm FLAT WASHER	1	53	OR93917	HEX HD SCREW M8 x 20mm	2
4	OR90001	M6mm KNOB	1	54	OR90311	M8mm FLAT WASHER	2
5	OR90002	SPACER	1	55	OR71426	TOOL REST SUPPORT	2
6	OR90488	SPARK ARRESTOR-L.H	1	56	OR71427	TOOL REST	2
7	OR90059	M6mm FLAT WASHER	1	57	OR90064	5/16" FLAT WASHER	1
8	OR90333	M6 x 12mm HEX HD SCREW	1	58	OR93917	HEX HD SCREW M8 x 20mm	1
9	OR90001	M6mm KNOB	1	59	OR90311	M8mm FLAT WASHER	1
10	OR90059	M6mm FLAT WASHER	1	60	OR93917	HEX HD SCREW M8 x 20mm	1
11	OR90152	EYESHIELD	1	61	OR93917	HEX HD SCREW M8 x 20mm	2
12	OR90055	M6 x 80mm CARRIAGE HD SCREW	1	62	OR90311	M8mm FLAT WASHER	2
13	OR90002	SPACER	1	63	OR71428	LIGHT ASSY, INCL:	1
14	OR90489	SPARK ARRESTOR-R.H	1	64	OR90544	LIGHT WARNING LABEL	1
15	OR90333	M6 x 12mm HEX HD SCREW	1	66	OR90227	M10mm LOCK WASHER	1
16	OR90059	M6mm FLAT WASHER	1	67	OR90228	M10x1mm HEX NUT	1
17	OR90567	PAN HD SCREW M6 x 60mm	3	68	OR90507	PAN HD SCREW M5 x 8mm	2
18	OR90059	M6mm FLAT WASHER	3	69	OR90362	M5 EXT TOOTH WASHER	2
19	OR71445	OUTER WHEEL GUARD-RH	1	70	OR71429	CORD CLAMP	1
20	OR90499	HEX NUT M16	1	71	OR71430	CLAMP PLATE	1
21	OR71446	WHEEL FLANGE	1	72	OR71453	BASE	1
22	OR71447	GRINDING WHEEL120 GRIT 10"DIA x 1"WIDE x 1-1/4"BORE	1	73	OR71454	POWER CORD	1
23	OR71448	WHEEL BUSHING	1	74	OR90248	M8mm LOCK WASHER	2
24	OR71446	WHEEL FLANGE	1	75	OR90504	HEX HD SCREW M8 x 18mm	2
25	OR90501	PAN HD SCREW M6 x 16mm	4	76	OR71455	CLAMP	1
26	OR90502	M6mm LOCK WASHER	4	77	OR71456	CAPACITOR(100°F)	1
27	OR71449	INNER WHEEL GUARD ASSEMBLY-RIGHT, INCL:	1	78	OR71450	END CAP	2
28	OR90526	ROTATION LABEL	1	79	OR90362	M5 EXT TOOTH WASHER	1
29	OR90059	M6mm FLAT WASHER	3	80	OR90507	PAN HD SCREW M5 x 6mm	1
30	OR90235	HEX NUT M6	3	82	OR90362	M5 EXT TOOTH WASHER	2
31	OR90502	M6mm LOCK WASHER	3	83	OR90863	PAN HD SCREW M5 x 12mm	4
33	OR70420	MOTOR ASSEMBLY, INCL:	1	84	OR71436	PAD	4
34	OR70367	NAME PLATE LABEL	1	85	OR71437	BASE PLATE	1
36	OR70314	SPEC LABEL	1	86	OR90333	M6 x 10mm HEX HD SCREW	2
38	OR90502	M6mm LOCK WASHER	3	87	OR71438	WATER TRAY	1
39	OR90235	HEX NUT M6	3	88	OR90505	PAN HD SCREW M5 x 12mm	2
40	OR90059	M6mm FLAT WASHER	3	89	OR90362	M5 EXT TOOTH WASHER	4
41	OR71451	INNER WHEEL GUARD ASSEMBLY-LEFT, INCL:	1	90	OR71439	SWITCH	1
42	OR90526	ROTATION LABEL	1	91	OR71424	SWITCH PLATE	1
43	OR90502	M6mm LOCK WASHER	4	92	OR90362	M5 EXT TOOTH WASHER	2
44	OR91826	PAN HD SCREW M6 x 16mm	4	93	OR90507	PAN HD SCREW M5 x 8mm	2
45	OR71446	WHEEL FLANGE	1	94	OR71440	DIAMOND WHEEL DRESSER	1
46	OR90520	GRINDING WHEEL60 GRIT 10"DIA x 1"WIDE x 1-1/4"BORE	1	95	OR90507	PAN HD SCREW M5 x 8mm	2
47	OR71448	WHEEL BUSHING	1	96	OR90050	10mm x 12mm OPEN END WRENCH (NOT SHOWN)	1
48	OR71446	WHEEL FLANGE	1	97	OR90510	BEARING (NOT SHOWN)	2
49	OR90500	HEX NUT M16-LEFT HAND	1	98A	OR71441	OWNERS MANUAL (NOT SHOWN)	1
50	OR71452	OUTER WHEEL GUARD-LH	1	98B	OR71442	OWNERS MANUAL (SPANISH, NOT SHOWN)	1
				98C	OR71443	OWNERS MANUAL (FRENCH, NOT SHOWN)	1

◆ NOTES ◆

◆ NOTES ◆

◆ NOTES ◆



STEEL CITY TOOL WORKS

www.steelcitytoolworks.com

1-877-SC4-TOOL

(1-877-724-8665)

5 Year Warranty

