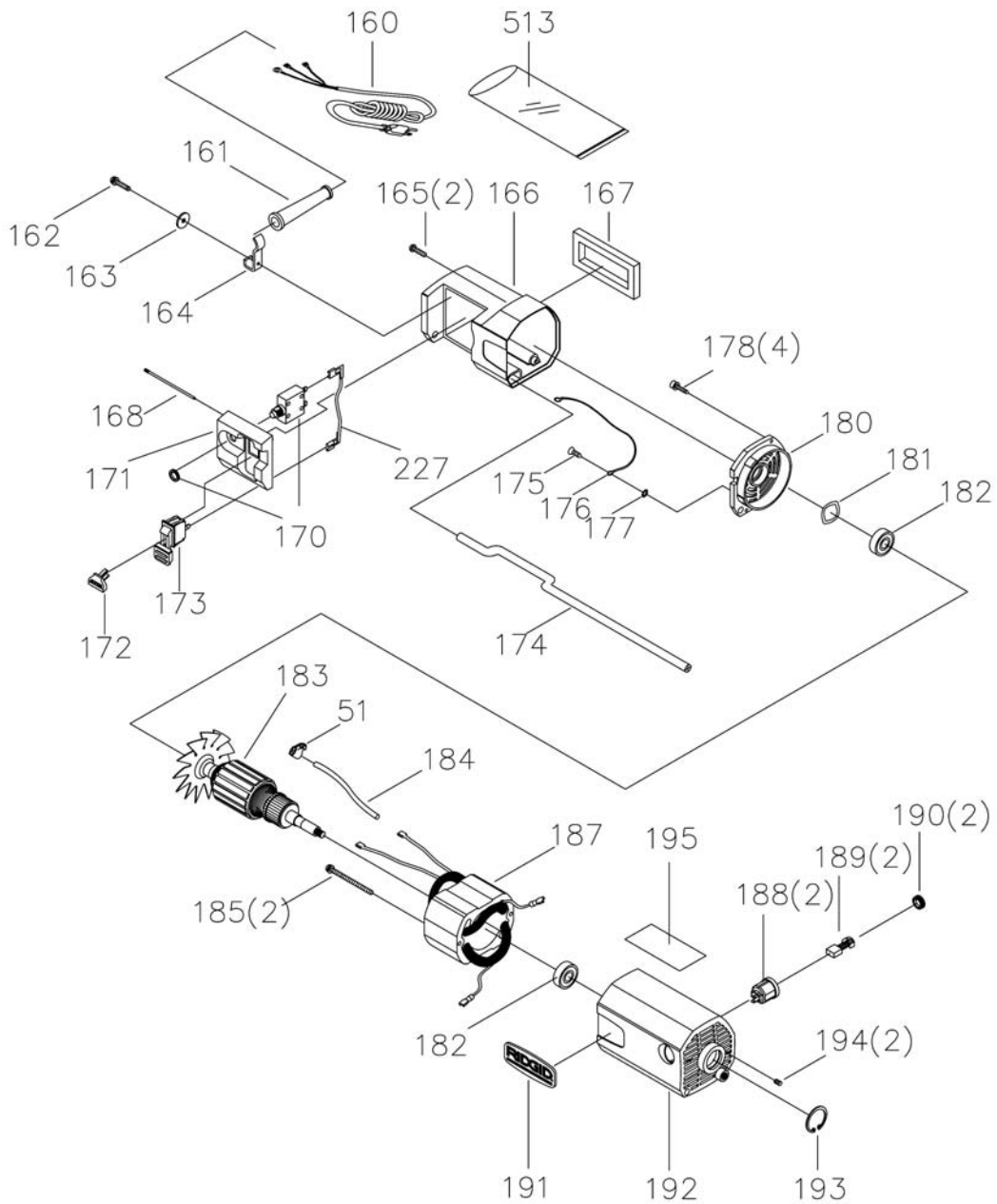


KEY NO.	PART NO.	Description	QTY	KEY NO.	PART NO.	Description	QTY
1	SC80302	SCR SEMS W/WASHM6XP1.0X20mm	4	69	SC10334	INSIDE PLATE	1
2	SC10294	LEFT COVER	1	70	SC10335	GEAR (12T)	1
3	SC10295	SCALE	1	71	SC83005	BALL BEARING 6203ZZ	2
4	SC10296	UPPER COVER	1	72	SC10336	COVER GEAR BOX	1
5	SC10297	RIGHT COVER	1	73	SC80418	M5X8mm SCR PAN CR TYTT	2
6	SC10298	DRIVE ROD	1	74	SC82115	M5 LOCK WASHER EXT	2
7	SC82704	WASHERΦ21.5XΦ34X1,8	1	75	SC81111	M4 NUT	1
8	SC81110	LOCK NUT M17X2.0	1	76	SC10337	POINTER	1
9	SC10299	BEARING	2	77	SC10338	HOUSING POINTER	1
10	SC80303	SCR SEMS W/WASHM5XP0.8X12mm	4	78	SC10339	BUSHING 4.2X11X3	1
11	SC82703	WASHER Φ21.5XΦ34X1,8	1	79	SC80419	M4XP0.7X10mm PAN SCR W/WASHER	1
12	SC80317	NYLOCK SET SCRM5XP0.8X8	2	80	SC10340	COVER POINTER	1
13	SC10300	WORM	1	81	SC80117	M8XP1.25X20mm HEX HD SCR	1
14	SC10301	LOCK WRENCH	1	82	SC82110	FLAT WASHER M8X23X2mm	1
15	SC10302	HANDLE	1	83	SC84006	SPRING 8.5X19X0.8	1
16	SC80304	NYLOCK SCR HEX SOC CAP M5X12	1	84	SC10341	ROD POINTER ELEVATING	1
17	SC85104	Φ17 C-RING	1	85	SC10342	POINTER	1
18	SC10303	LEFT BLOCK	1	86	SC80420	M3XP0.5X16mm PAN HD SCR	2
19	SC10304	SLEEVE	1	87	SC81103	M10XP1.5 HEX NUT	1
20	SC10305	RIGHT BLOCK	1	88	SC10343	THICKNESS ADJUST ROD	1
21	SC10306	BRUSHING	2	89	SC81104	M5XP0.8 HEX NUT	1
22	SC10307	HANDLEBAR	3	90	SC10381	M5XP0.8X25mm SCREW HEX	1
23	SC10308	DUST CHUTE TOP COVER	1	92	SC10344H	CUTTERHEAD ASS'Y	1
24	SC80414	M4XP0.7X6mm SCR HEX SOC W/WASHER	2	93	SC10345	WORM	1
26	SC10309	WIND TROUGH	1	94	SC10346	PULLEY MOTOR	1
27	SC80305	M5XP0.8X35 mm SCR SEMS W/WASH	3	95	SC81105	M16XP2.0H HEX NUT	1
28	SC80306	M5XP0.8X27 mm SCR SEMS W/WASH	3	96	SC10347	SPRING	2
29	SC10311	OUT SIDE PLATE	1	97	SC83006	BLOCK BEARING	4
30	SC83005	BEARING 6002ZZ	1	98	SC10348	ROLLER OUTFEED	1
31	SC10312	SHAFT TRANSMISSION	1	99	SC10349	SPRING	2
32	SC10310	DUST CHUTE	1	100	SC10350	PLATE RETAINER	4
33	SC80415	M4XP0.7X6mm SCR HEX SOC BUT TAP	2	101	SC80307	M5XP0.8X10mm NYLOCK HEX SOC HD SCR	8
34	SC80307	M5XP0.8X10mm NYLOCK HEX SOC HD SCR	6	102	SC80309	M5XP0.8X10mm HEX HD SCR	1
35	SC10313	COVER	2	104	SC10351	ROLLER INFEED	1
36	SC10314	WORM WHEEL	1	105	SC10352	TOOL SETTLED BLOCK	1
37	SC10315	BUSHING	2	106	SC10353	CAP TOOL HOLD BLOCK	1
38	SC10316	ELEVATION SHAFT	1	107	SC10259	TORX T25	1
39	SC85102	Φ15 C-RING	3	108	SC10382	4X100 HEX WRENCH	1
40	SC10317	CHAIN	2	110	SC10354	LEFT SIDE PANEL	1
41	SC10318	SPROCKET	4	111	SC10355	COLUMN	4
42	SC10319	SPACER Φ15XΦ20X7	1	112	SC10356	BASE	1
43	SC10320	GEAR LARGE	1	113	SC80310	M5XP0.8X8mm HEX HD SCR	1
43-1	SC10321	GEAR	2	114	SC82111	WASHER Φ5.5XΦ19X2mm	1
44	SC10322	GEAR LARGE	1	115	SC10357	ELEVATION SHAFT (LEFT)	1
45	SC10323	SPACER	4	116	SC80311	M5XP0.8X10mm HEX SOC HD SCR W/WASHER	8
46	SC10324	SPACER	2	117	SC10358	RAIL GUIDE	2
47	SC80416	M5XP0.8X6mm SCR HEX SOC BUT TAP	3	118	SC10359	PLATE WEAR	1
48	SC10380	DEFLECTOR-CHIP	1	120	SC80118	M5XP0.8X6mm SCREW	1
49	SC80115	M5XP0.8X8mm SET SCR	1	121	SC10360	PLATE	1
50	SC80417	M5XP0.8X8mm PAN HD SCR	1	122	SC10361	SPRING	1
51	SC10325	CLAMP CORD	2	123	SC10362	COVER	1
53	SC10326	UPPER FRAME	1	124	SC10363	RIGHT SIDE PANEL	1
54	SC10327	SUPPORT BLOCK	4	125	SC10364	HAND WHEEL	1
58	SC10240H	BLADE	26	126	SC10365	HANDLEBAR	1
60	SC80116	TORX SCR	26	127	SC81106	M10 LOCK NUT	2
61	SC84509	KEY 5X12mm	1	128	SC81107	M12XP1.75 HEX NUT	4
63	SC10329	RETAINER BEARING	1	129	SC10366	EXTENSION WING	2
64	SC80308	M5XP0.8X12mm SCR HEX SOC CAP	3	130	SC10367	SPRING PLATE	4
65	SC10330	CUTTERHEAD PULLEY	1	131	SC80421	M5XP0.8X10mm PAN HD SCR W/WASHER	8
66	SC10331	V-BELT	1	132	SC10368	ROD PIVOT	1
67	SC10332	GEAR LARGE (70T)	1	133	SC10369	WORM WHEEL	1
68	SC10333	GEAR BUSHING	5	134	SC80309	M5XP0.8X10mm HEX HD SOC SCR	1

KEY NO.	PART NO.	Description	QTY
136	SC10370	Ø7.62XØ15.75X0.7 SPRING	1
137	SC10371	10mm STEEL BALL	1
138	SC10372	BLOCK GUARD	1
139	SC80312	M5XP0.8X16mm HEX HD SOC SCR	2
140	SC80119	M6XP1.0X25mm HEX HD SCR	4
141	SC81108	M6XP1.0 NUT	4
143	SC10373	BUSHING	2
144	SC81109	M10XP1.5mm HEX NUT	4
145	SC10374	ADJUST SCREW	4
146	SC10375	BLOCK STEP	1
147	SC81108	M6XP1.0mm HEX NUT	1
148	SC10376	PIN STOP BLOCK	1
149	SC10377	HANDLEBAR	1
150	SC80422	M4.8X8mm TAP SCR	2
151	SC10378	SCALE	1
152	SC10379	RIGHT COVER PANEL	1
153	SC80313	M5XP0.8X20mm HEX HD SOC SCR W/WASHER	1

KEY NO.	PART NO.	Description	QTY
191	SC76026	NAMEPLATE	1
195	SC76027	MOTOR LABEL	1
196	SC80314	M5XP0.8X30mm HEX HD SOC SCR W/WASHER	1
199	SC80315	M6XP1.0X12mm HEX SOC HD SCR	1
201	SC76028	SPONGE	1
202	SC76029	SPONGE	1
203	SC76030	SPONGE	1
212	SC76031	LABEL	1
213	SC80422	M4.8X8mm TAP SCR	4
214	SC82116	FLAT WASHER Ø8.2XØ14X0.1T	3
215	SC10383	COVER GEAR BOX	1
216	SC80705	WAVE WASHER Ø8.5XØ12	1
217	SC10384	PLUG	1
219	SC76032	LABEL	1
222	SC82706	WAVE WASHER Ø12.5XØ17	1
224	SC10385	DUST HOOD	1
225	SC10386	DUST HOOD COVER	1



KEY NO.	PART NO.	Description	QTY	KEY NO.	PART NO.	Description	QTY
160	SC72014	POWER CORD	1	177	SC72026	M5 EXT TOOTH WASHER	1
161	SC72015	POWER CORD BUSH	1	178	SC80425	M4.2X20mm TAP SCR	4
162	SC80423	M5X30mm SCR SEMS W/WASH	1	180	SC72027	MOTOR COVER (REAL)	1
163	SC72016	WASHER	1	181	SC72028	WAVE WASHER	1
164	SC72017	PLATE	1	182	SC72029	BEARING	2
165	SC80424	M5X20mm SCREW PAN CROSS	2	183	SC72030	ROTOR	1
166	SC72018	SWITCH BOX	1	185	SC80426	M4.8X70mm TAP SCR	2
167	SC72038	WINDBREAK	1	187	SC72031	STATOR	1
168	SC72019	SCREW	1	188	SC72032	BUSH HOLDER	2
170	SC72020	PROTECTOR	1	189	SC72033	BUSH	2
171	SC72021	SWITCH PADDLE	1	190	SC72034	BUSH COVER	2
172	SC72022	SWITCH LOCK	1	192	SC72035	MOTOR HOUSING	1
173	SC72023	SWITCH	1	193	SC72036	C-RING RTW32	1
174	SC72024	MOTOR PIN	1	194	SC80316	M5X12mm NYLOCK SCR	2
175	SC80418	M5X8mm TAP SCR	1	227	SC72037	LEAD WIRE	1
176	SC72025	GROUNDING WIRE	1				