

**EXPLODED  
VIEWS**

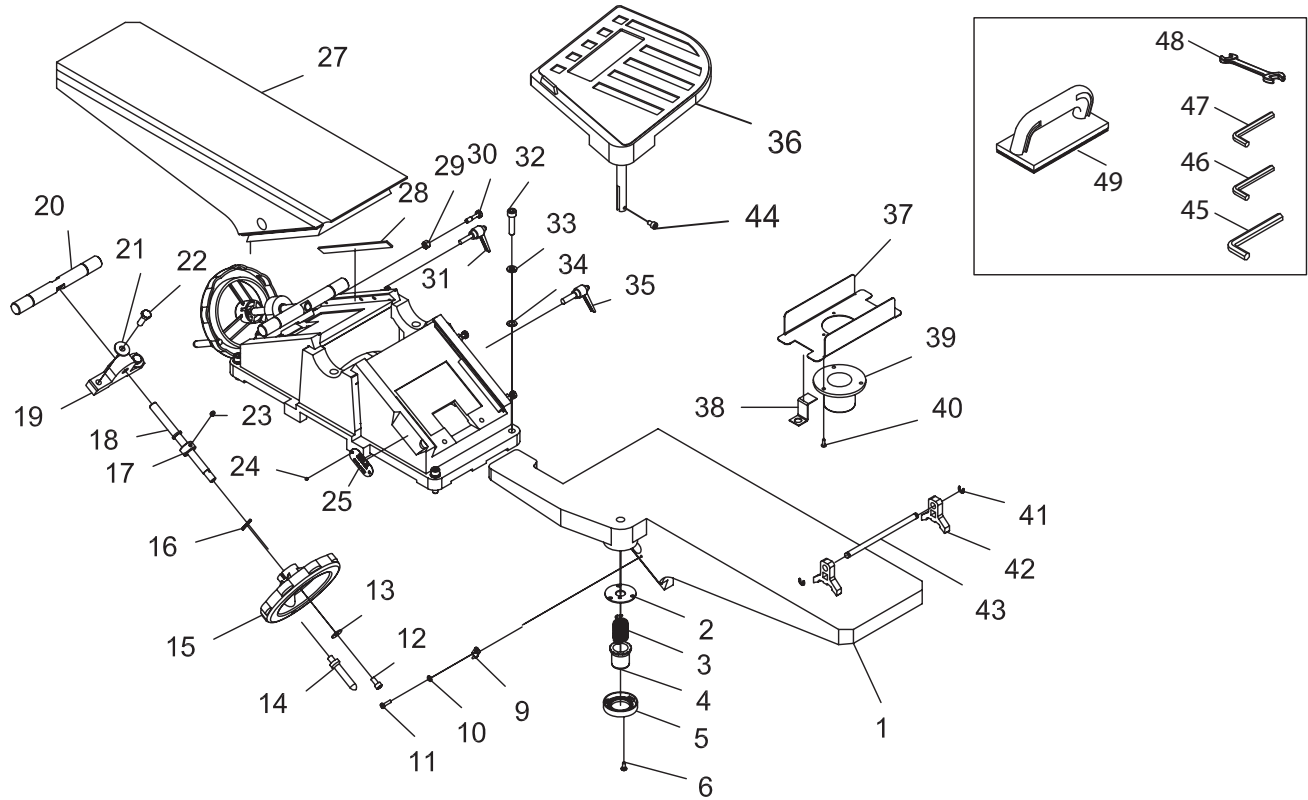
**40540**

**SERIAL NO. \_\_\_\_\_**

[www.steelcitytoolworks.com](http://www.steelcitytoolworks.com)

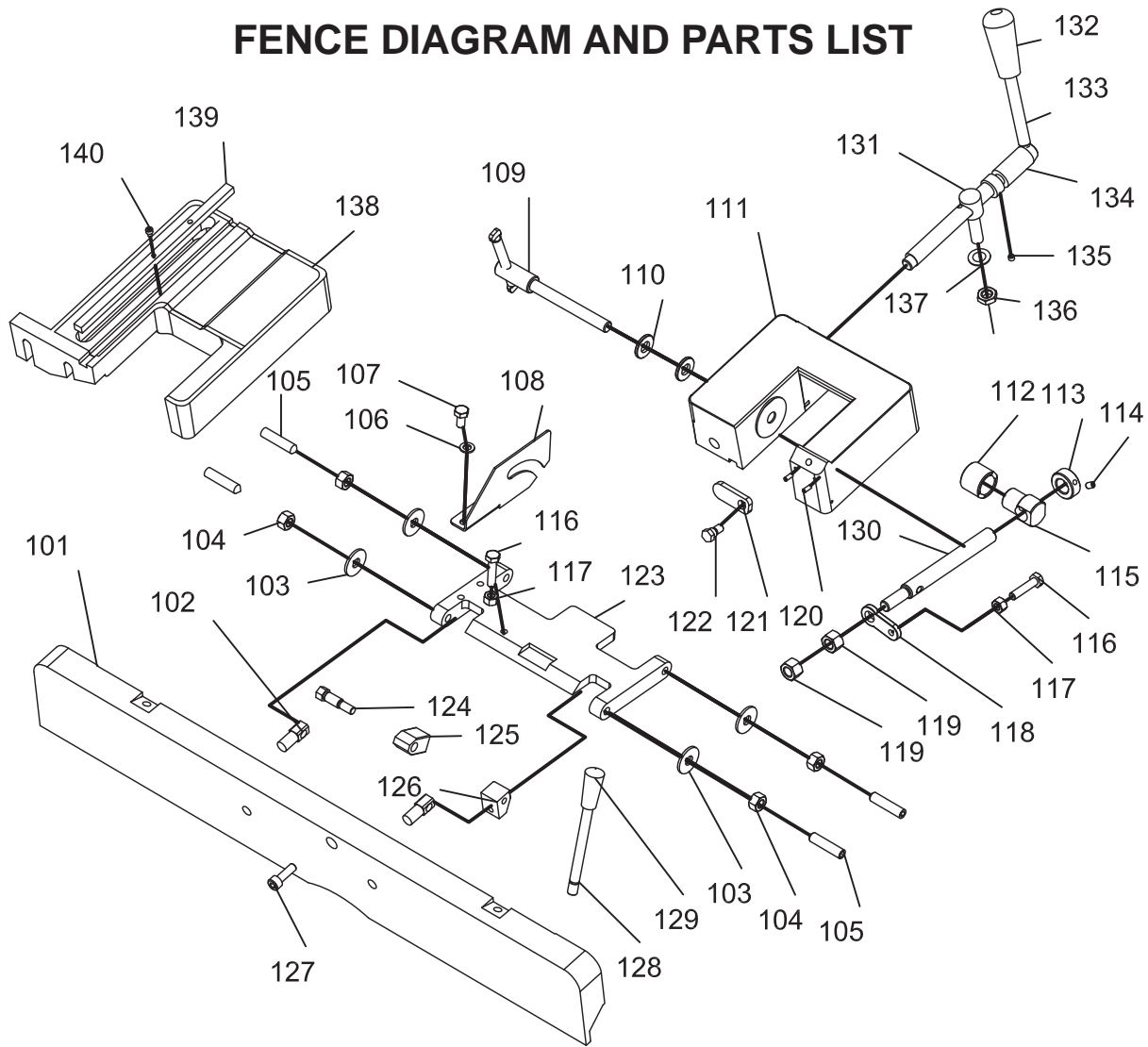
VER. 10.13

# BODY DIAGRAM AND PARTS LIST



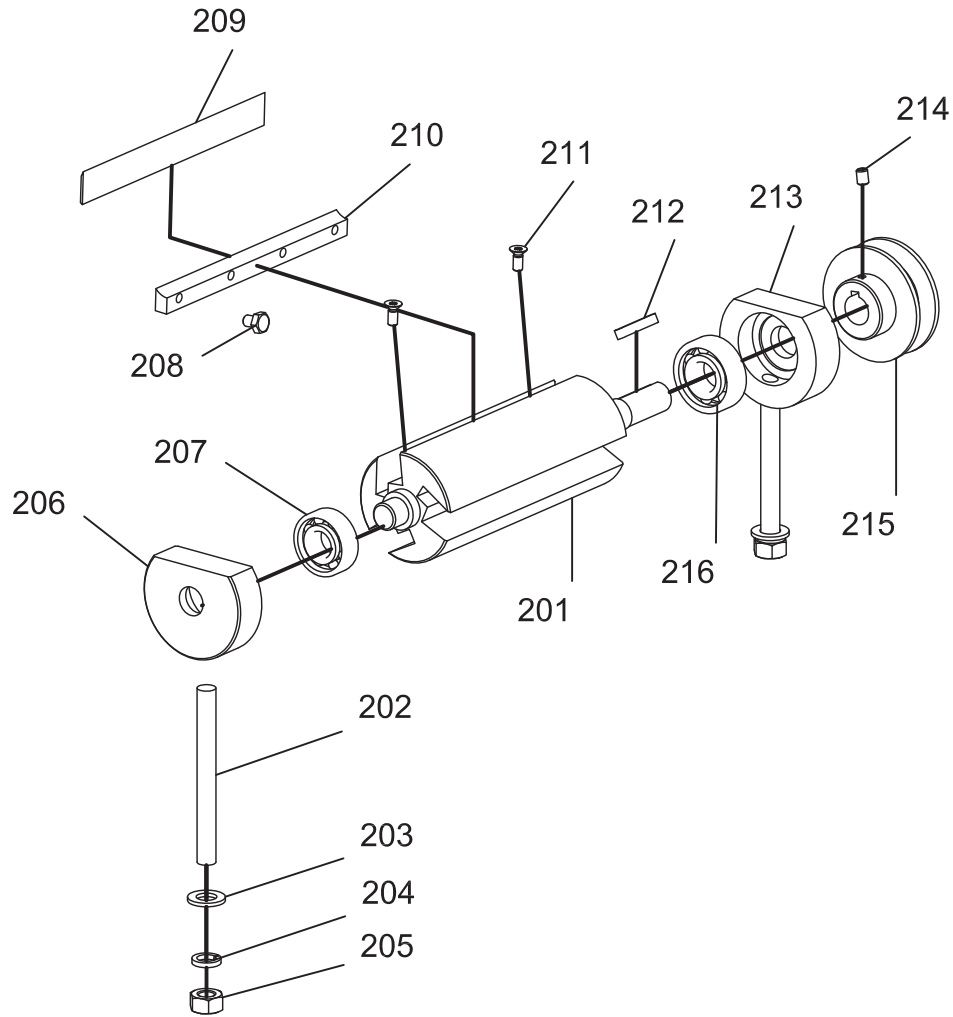
ITEM	DESCRIPTION	QTY	25	LABEL/SCALE	1
1	INFEED TABLE	1	27	OUTFEED TABLE	1
2	RETAINER WASHER	1	28	GIB	2
3	SPRING	1	29	NUT M6	4
4	SPRING HOUSE	1	30	SCREW M6*25	4
5	HOUSING MOUNT	1	31	KNOB M6*20	1
6	SCREW M4*12	3	32	SCREW M8*35	4
9	POINTER	1	33	LOCK WASHER $\phi$ 8	4
10	WASHER $\phi$ 4	1	34	FLAT WASHER $\phi$ 8	4
11	SCREW M4*16	1	35	KNOB M8*20	1
12	BOLT M6*16	2	36	CUTTERHEAD GUARD	1
13	FLAT WASHER $\phi$ 6	2	37	CHUTE PLATE	1
14	KNOB M8	2	38	PRESS PLATE	2
15	HANDWHEEL	2	39	CHUTE	1
16	PIN 3*20	2	40	SCREW ST4.2*10	3
17	RING	2	41	RING 6	2
18	LEAD SCREW	2	42	GUAGE	2
19	LEAD SCREW BRACKET	2	43	POLE /ROD	1
			44	SCREW M5*10	1
20	TABLE ADJUST ROD	2	45	8 MM ALLEN WRENCH	1
21	FLAT WASHER $\phi$ 8	4	46	6 MM ALLEN WRENCH	1
22	BOLT M8*25	4	47	5 MM ALLEN WRENCH	1
23	SET SCREW M6*8	4	48	OPEN END WRENCH 10-12 MM	1
24	RIVET	2	49	PUSH BLOCK	2

# FENCE DIAGRAM AND PARTS LIST



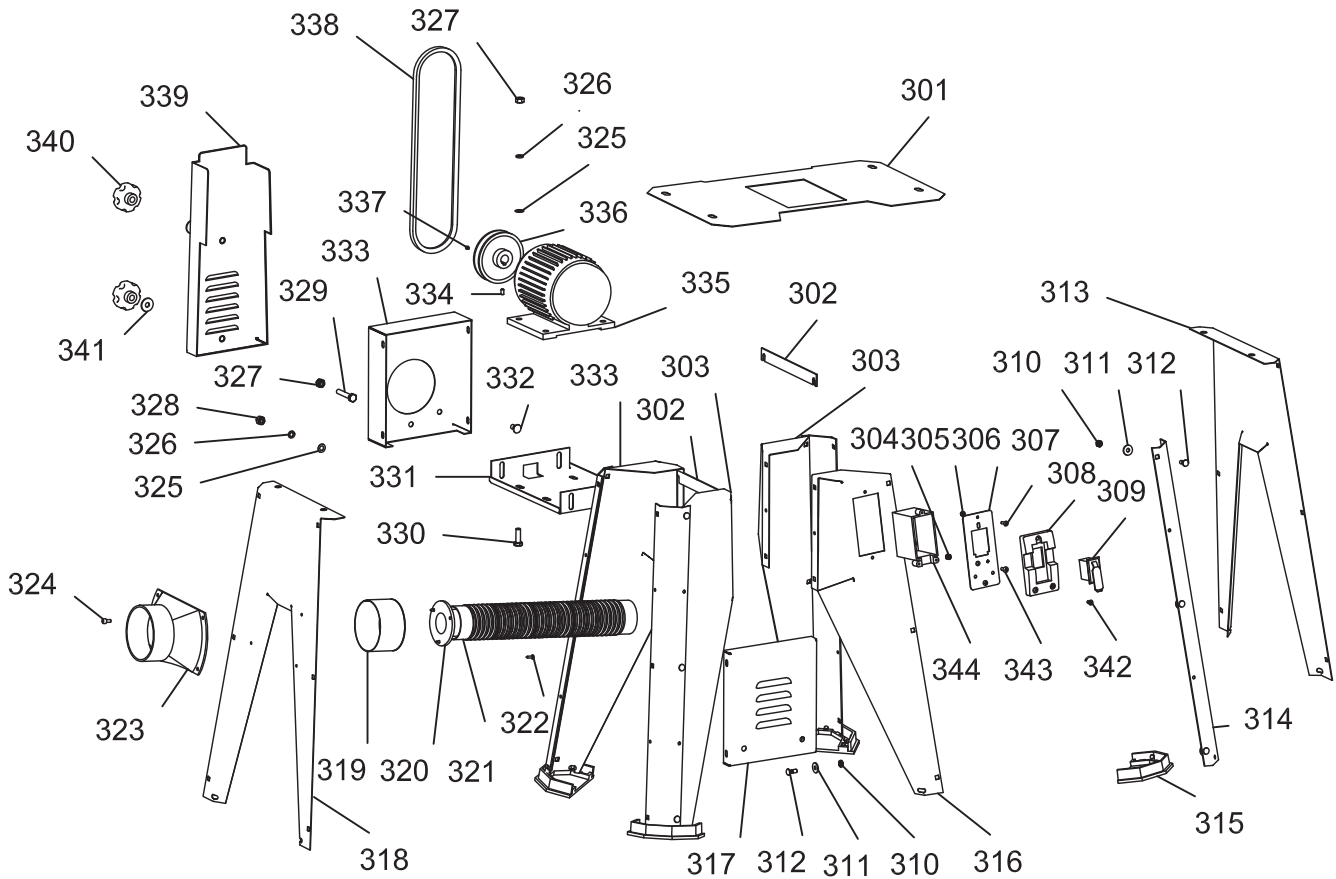
ITEM	DESCRIPTION	QTY	ITEM	DESCRIPTION	QTY
101	FENCE	1	121	STOP TAB	1
102	PIVOT STUD	2	122	SPECIAL BOLT	1
103	FLAT WASHER 10	4	123	FENCE HINGE	1
104	NUT M10	4	124	SPECIAL CAP SCREW	1
105	SPECIAL SCREW M10*45	4	125	FENCE STOP BRACKET	1
106	FLAT WASHER 8	2	126	FENCE BRACKET	1
107	SCREW M8*16	2	127	SCREWM8*30	1
108	FENCELOCK BRACKET	1	128	TILT LEVER	1
109	LOCKING SCREW	1	129	KNOB M10	1
110	FLAT WASHER 12	2	130	FENCE ADJUSTMENT ROD	1
111	FENCE BASE	1	131	SPECIAL BOLT	1
112	FENCE TILT SLEEVE	1	132	KNOB	1
113	RING	1	133	POLE	1
114	SET SCREW M6*8	1	134	SHAFT	1
115	FENCE TILT CLAMP	1	135	SET SCREW M6*8	1
116	BOLT M8*35	2	136	NUT M12	1
117	NUT M8	2	137	WASHER	1
118	90°STOP TAB	1	138	BRACKET	1
119	NUT M12	2	139	KEY	1
120	PIN 4*12	2	140	CAP SCREW M4*12	2

# CUTTERHEAD DIAGRAM AND PARTS LIST



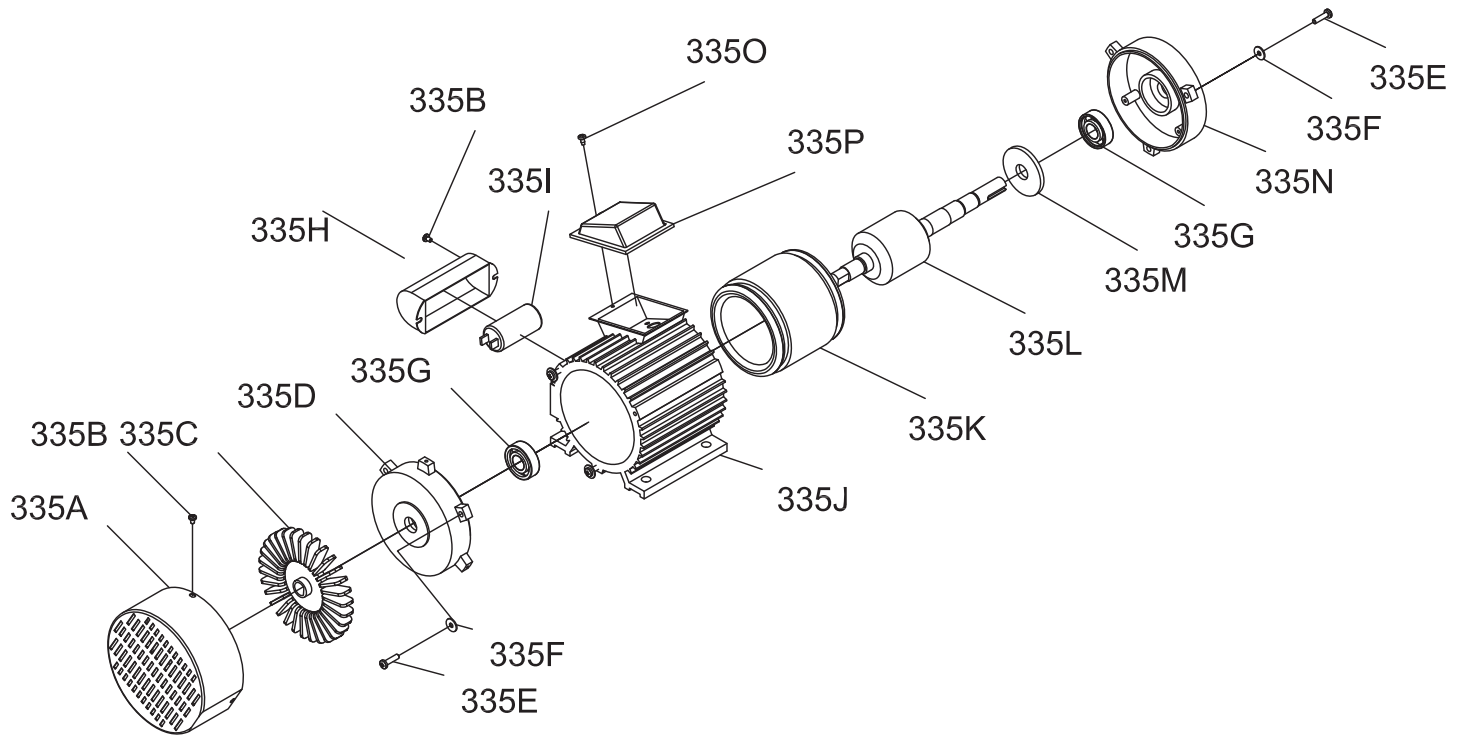
ITEM	DESCRIPTION	QTY
201	CUTTER HEAD	1
202	STUD	2
203	FLAT WASHER $\phi$ 10	2
204	LOCK WASHER $\phi$ 10	2
205	NUT M10	2
206	LEFT BEARING BLOCK	1
207	BALL BEARING 6202	1
208	BOLT M6*8	12
209	BLADE	3
210	BLADE GIB	3
211	SET SCREW M5*10	6
212	KEY 5*30	1
213	RIGHT BEARING BLOCK	1
214	SET SCREW M6*8	1
215	CUTTER PULLEY	1
216	BALL BEARING 6203	1
217	CUTTERHEAD ASSEMBLY	1

# STAND DIAGRAM AND PARTS LIST



ITEM	DESCRIPTION	QTY	ITEM	DESCRIPTION	QTY
301	UPPER PLATE	1	323	DUST CHUTE	1
302	CROSS E SUPPORT	2	324	SCREW M5*10	4
303	LEG A	2	325	FLAT WASHER 8	8
304	NUT M5	2	326	LOCK WASHER 8	8
305	NUT M4	2	327	NUT M8	6
306	SWITCH PLATE	1	328	SPECIAL NUT M8 CAP	4
307	CAP SCREW M4*16	2	329	BOLT M8*45	2
308	SWITCH COVER	1	330	BOLT M8*25	4
309	SWITCH/KEY	1	331	MOTOR PLATE	1
310	NUT M6	32	332	CARRIAGE BOLT M8*16	4
311	FLAT WASHER 6	32	333	LEG C	1
312	CARRIAGE SCREW M6*12	32	334	SET SCREW M6*8	1
313	SIDE PANEL/D1	1	335	MOTOR	1
314	BLACK LEG F	4	336	MOTOR PULLEY	1
315	RUBBER FOOT	4	337	KEY 5*30	1
316	LEG C1	1	338	BELT A730	1
317	FRONT PANEL/B	1	339	BELT COVER	1
318	SIDE PANEL/D	1	340	KNOB M8	2
319	ADAPTER CHUTE	1	341	FLAT WASHER 8	2
320	HOSE ADAPTER	1	342	SCREW ST3.9*16	3
321	PVC HOSE	1	343	CAP SCREW M5*12	2
322	SCREW ST4.2*10	3	344	SWITCH BOX	1

# MOTOR ASSEMBLY

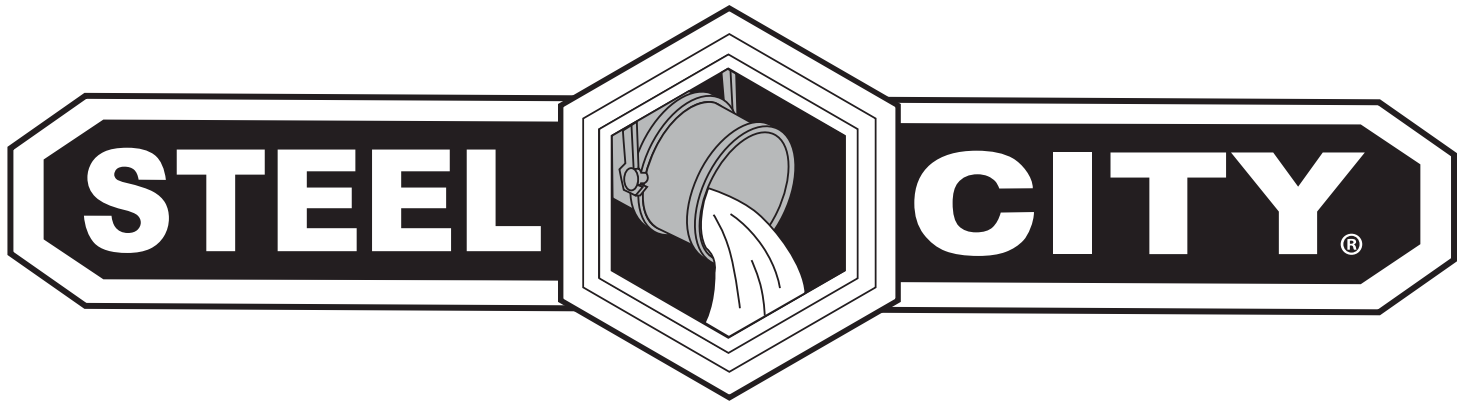


ITEM	DESCRIPTION	QTY
335A	FAN COVER	1
335B	PAN HD SCR M4*6	3
335C	FAN	1
335D	MOTOR HOUSING END CAP	1
335E	PAN HD SCR M5*20	6
335F	FLAT WASHER 5	6
335G	BALL BEARING 6203	2
335H	CAP BOX UPPER	1
335I	RUNNING CAPACITOR 125V 300UF	1
335J	MOTOR HOUSING	1
335K	FIELD ASSEMBLY	1
335L	ARMATURE ASSEMBLY	1
335M	WAVE WASHER 37	1
335N	MOTOR HOUSING FRONT COVER	1
335O	SCREW M4*6	1
335P	COVER	1









# STEEL CITY TOOL WORKS

[www.steelcitytoolworks.com](http://www.steelcitytoolworks.com)

1-877-SC4-TOOL  
(1-877-724-8665)

---

---

# NOTES

[www.steelcitytoolworks.com](http://www.steelcitytoolworks.com)

Steel City Tool Works, LLC Bolingbrook, IL. USA 60440

Tech Service: 1.877.724.8665