

EXPLODED VIEWS

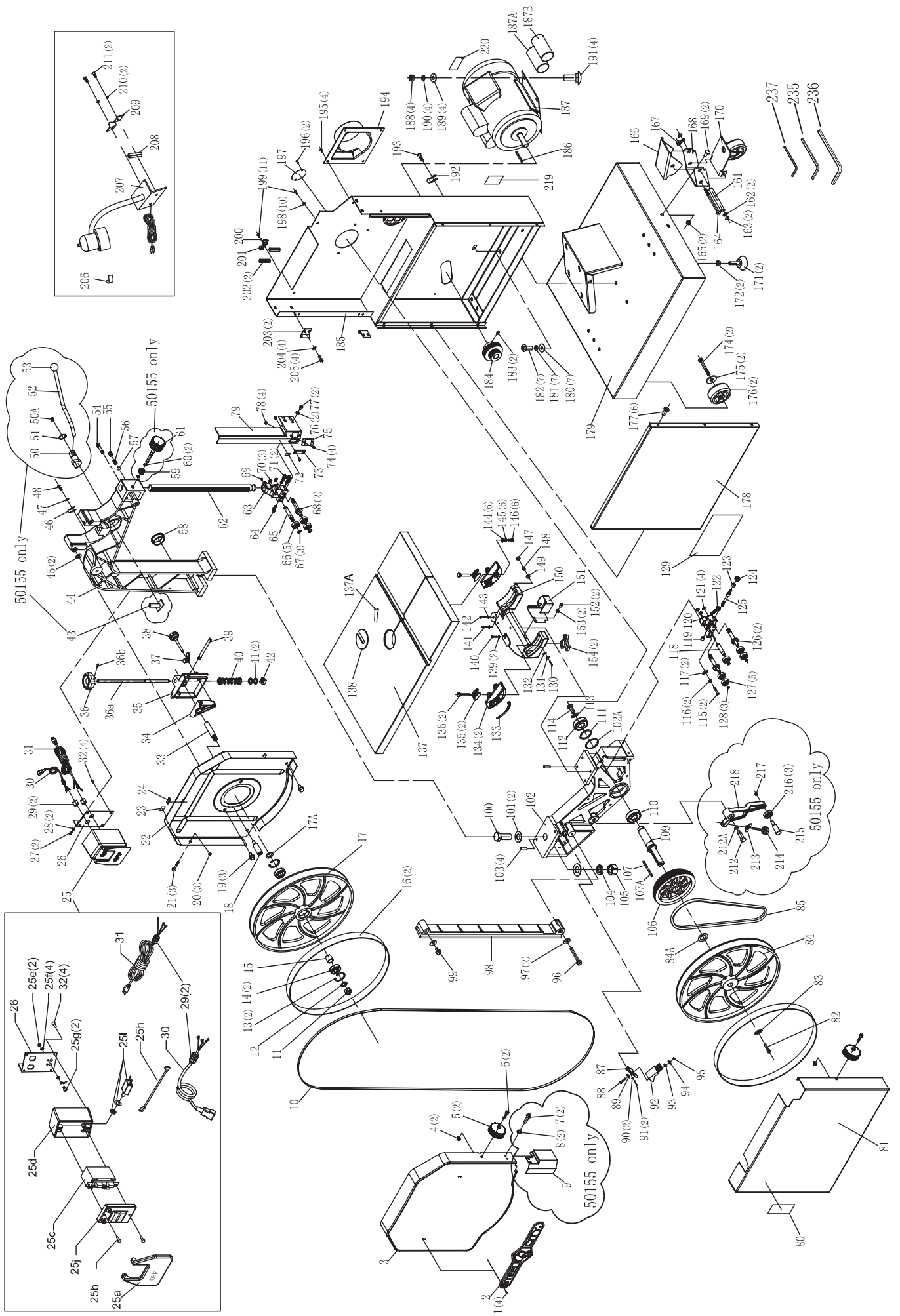
50150G / 50150C

SERIAL NO. _____

www.steelcitytoolworks.com

VER. 12.30.13

MAIN UNIT ASSEMBLY



Part List

NO.	DESCRIPTION	QTY.	REMARK
1	RIVET 2X8 mm OR93823	4	
2	NAME PLATE OR73521	1	
3	FRONT UPPER GUARD OR74400	1	
4	M6 LOCK NUT OR91754	2	
5	HAND WHEEL OR73522	2	
6	HEX SOC SCREW M6X22 mm OR91812	2	
7	PAN SCREW M5X8 mm OR90507	2	for 50155G
8	SPRING WASHER 5 OR74406	2	for 50155G
9	SAW GUARD PLATE I OR74405	1	for 50155G
10	SAW BLADE (1/4"W 105"L) OR74401	1	for 50155G
10	SAW BLADE (1/4"W 93.5"L) OR73524	1	for 50150G
11	HEX NUT M12 OR94825	1	
12	FLAT WASHER 12 OR90304	1	
13	INT RET RING ϕ 35 OR94827	2	
14	BEARING 6202 2Z OR94826	2	
15	SLEEVE OR73531	1	
16	TIRE OR73526	2	
17	UPPER WHEEL OR73527	1	
18	STUD OR73554	1	
19	HEX FLANGE SCREW M8X12 mm OR94833	3	
20	HEX FLANGE NUT M6 OR90235	3	
21	PAN HD SCREW M6X10 mm OR93930	3	
22	REAR UPPER GUARD ASSEMBLY OR73529	1	
23	WARNING LABEL TIGHTEN OR73530	1	for 50155
24	PAD OR73528	1	

25	SWITCH ASSEMBLY OR73553	1	
25a	SWITCH PADDLE OR91040	1	
25b	ROUND HD TAP SCR M4X25 mm OR93900	2	
25c	SWITCH OR90343	1	
25d	SWITCH BOX OR91063	1	
25e	HEX NUT M5 OR90381	2	
25f	EXT TOOTH WASHER M5 OR90362	4	
25g	PAN HD SCR M5X8 OR90507	2	
25h	CONNECT CORD/JUMPER OR91032	1	
25i	RESET SWITCH/25 AMP OR70139	1	
25j	SWITCH COVER OR91060	1	
26	SWITCH BRACKET OR73552	1	
27	PAN HD SCREW M6X12 mm OR90306	2	
28	EXT TOOTH WASHER 6 OR94793	2	
29	STRAIN RELIEF (7P-2) OR94832	2	
30	THE CORD SWITCH OR74638	1	
31	POWER CORD (14AWGX3C) OR73551	1	
32	M4X16 mm FL TAP SCREW OR91828	4	
33	UPPER WHEEL SHAFT OR73532	1	
34	HINGE OR73533	1	
35	SLIDING BRACKET OR73535	1	
36	KNOB OR74414	1	
36a	SCREW POST 2 SC10851	1	
36b	SPRING PIN OR91796	1	
37	BUTTERFLY NUT M8 OR94206	1	
38	ADJUST KNOB OR73536	1	

39	PIN OR73537	1	1	
40	COIL SPRING OR74416	1	1	
41	FIBER WASHER OR73539	2	2	
42	SQUARE NUT (M10xP1.5 mm) OR94828	1	1	
43	LIFT ASSIST OR73549	1	1	for 50155G
44	UPPER FRAME OR74404	1	1	for 50155G
44	UPPER FRAME SC10852	1	1	for 50150G
45	FLAT WASHER M8 OR90311	2	2	
46	WIRE RETAINER OR74255	1	1	
47	BIG WASHER M4 OR74408	1	1	
48	PAN HD SCREW M4X10 mm OR91774	1	1	
49	SPRING PIN 4X20 mm OR90232	1	1	
50	TENSION CRANK OR73542	1	1	for 50155G
51	EXT RET RING ϕ 20 OR94829	1	1	
52	CAM HANDLE OR73541	1	1	for 50155G
53	KNOB OR73540	1	1	
54	THUMB SCREW OR73544	1	1	
55	HEX SOC SET SCREW M10X8 OR74424	1	1	
56	STEEL BALL ϕ 8.0mm OR74426	1	1	
57	SPRING COIL OR74425	1	1	
58	INSULATOR OR73543	1	1	
59	PINION OR73545	1	1	
60	EXT RET RING ϕ 8 OR94830	2	2	for 50155G
61	ADJUST KNOB OR73546	1	1	
62	GUIDE RACK OR72414	1	1	
62	POST GUIDE OR74423	1	1	for 50150G
63	UPPER BEARING BRACKET UP OR73557	1	1	
64	THUMB SCREW II (M6X10) OR73558	1	1	

65	THRUST SHAFT OR73889	1	1	
66	BEARING 628 2Z OR94838	5	5	
67	EXT RET RING ϕ 8 OR94830	3	3	
68	UPPER BEARING SHAFT OR73560	2	2	
69	HEX SOC SET SCREW OR90283	1	1	
70	EXT RET RING ϕ 10 OR94837	3	3	
71	THUMB SCREW I (M6x20 mm) OR73556	2	2	
72	WARNING LABEL/BLADE GUARD OR73562	1	1	
73	COVER WINDOW OR74253	1	1	
74	M4 PAN HEAD SCREW OR90346	4	4	
75	COVER-I WINDOW OR74254	1	1	
76	WASHER M6 OR90059	2	2	
77	PAN HD SCREW M6X8 mm OR94777	2	2	
78	HEX NUT M4 OR90078	4	4	
79	SAW GUARD PLATE OR72415	1	1	
80	WARNING LABEL OR73578	1	1	
81	LOWER DOOR ASSEMBLY SC10853	1	1	
82	HEX HD SCREW M8X20 mm LH OR74454	1	1	
83	SPECIAL WASHER OR91817	1	1	
84	LOWER WHEEL SC10946	1	1	
85	BELT 6PJ500(1270) SC10855	1	1	for 50155G
85	V BELT (A-1300) SC10856	1	1	for 50150G
87	BRUSH BRACKET OR73575	1	1	
88	PAN HD SCREW M5X12 mm OR92137	1	1	
89	SPRING WASHER M5 OR90145	1	1	
90	SPRING WASHER M5 OR90145	2	2	
91	PAN HD SCREW M5X6 mm OR94841	2	2	
92	BRUSH OR73576	1	1	

93	FLAT WASHER M5 OR90462	1	
94	SPRING WASHER M5 OR90145	1	
95	NUT M5 OR90381	1	
96	HEX FLANGE SCREW M8X50 mm OR94836	1	
97	WASHER M8 OR94834	2	
98	BLADE GUARD OR72415	1	for 50155G
98	BLADE GUARD OR73555	1	for 50150G
99	HEX HD LOCK SCREW M8X12 mm OR94835	1	
100	HEX HEAD BOLT M20X70 mm OR94842	1	
101	M20 FLAT WASHER OR94843	2	
102	BASE SC10857	1	
102A	RETAINING RING ϕ 47 OR94194	1	
103	PIN OR73587	4	
104	SPRING WASHER 20 OR94844	1	
105	NUT M20 OR94845	1	
106	DRIVER PULLEY SC10858	1	
107	KEY A 6X6X25 SC84512	1	for 50155G
107A	KEY A 6X6X35 OR93943	1	
109	LOWER DRIVE SHAFT SC10859	1	
106	PULLEY SC10860	1	
107	KEY A 6X6X25 SC84512	1	for 50150G
107A	KEY A 6X6X35 OR93943	1	
109	LOWER DRIVE SHAFT SC10861	1	
110	BALL BEARING 6205-2RS OR93544	1	
111	WAVE WASHER OR94850	1	
112	BEARING 6204 2Z OR94851	1	
113	SPECIAL WASHER OR91817	1	
114	HEX SOC BUT HD SCR M8X20 mm OR80733	1	
115	PAN HEAD SCREW M5X30 mm OR95205	2	
116	SPRING WASHER M5 OR90145	2	

117	FLAT WASHER M5 OR90462	2	
118	THRUST BRACKET OR73594	1	
119	SCREW SLEEVE OR73593	1	
120	LOWER BEARING BRACKET OR73596	1	
121	EXT RET RING ϕ 10 OR94837	3	
122	THUMB SCREW III (M6X14 mm) OR73597	1	
123	SLEEVE OR73599	1	
124	SPECIAL KNOB OR73600	1	
125	SPECIAL SCREW OR73598	1	
126	LOWER BEARING SHAFT OR73595	2	
127	BEARING 628 2Z OR94838	5	
128	EXT RET RING ϕ 8 OR94830	3	
129	WARNING LABEL OR76101	1	
130	PAN HD SCREW M4X6 mm OR90135	1	
131	POINTER OR73572	1	
132	WASHER M4 OR90143	1	
133	SCALE OR74258	1	
134	TRUNNION OR74257	2	
135	CLAMP SHOE OR73565	2	
136	HEX HD SCREW M10X50 mm OR94331	2	
137	GRANITE TABLE SC10862	1	for 50155G
137	CAST IRON TABLE OR73564	1	for 50150C 50155C
137	GRANITE TABLE OR74256	1	for 50150G
137A	TAPER PIN OR73567	1	
138	TABLE INSERT OR73563	1	
139	SPRING WASHER 8 OR90248	2	

140	HEX SOC SCREW M8X35 mm OR94840	1	
141	HEX SOC SCREW M8X30 mm OR92174	1	
142	HEX HD SCREW M8X50 mm OR74439	1	
143	NUT M8 OR90307	1	
144	M6 WASHER OR90059	6	
145	SPRING WASHER M6 OR90502	6	
146	M6X18 mm HEX SOC HD SCREW OR91758	6	
147	LOCK NUT M6 OR93370	1	
148	HEX SOC SET SCREW w/ FLAT POINT M6x30 mm OR74440	1	
149	NUT M6 OR90235	1	
150	TRUNNION SUPPORT OR74259	1	
151	LOWER BLADE GUARD OR74260	1	
152	PAN HD SCREW M5X8 mm OR90507	2	
153	SPRING WASHER M5 OR90145	2	
154	KNOB OR73573	2	
161	PIN OR73602	1	
162	1/2" FLAT WASHER OR94854	2	
163	EXT.RET.RING 1/2" OR94855	2	
164	5/16-18X4" HEX HD Screw OR91502	1	
165	HEX FLANGE NUT M8 OR94771	2	
166	FOOT PEDAL OR73604	1	
167	LOCK NUT 5/16-18 OR94774	1	
168	FLIP WHEEL BRACKET OR73603	1	
169	CARRIAGE BOLT M8X20 mm OR94775	2	
170	CASTER ASSEMBLY OR73601	1	
171	M8 ADJUSTABLE FOOT SC10529	2	
172	HEX NUT M8 OR90307	2	

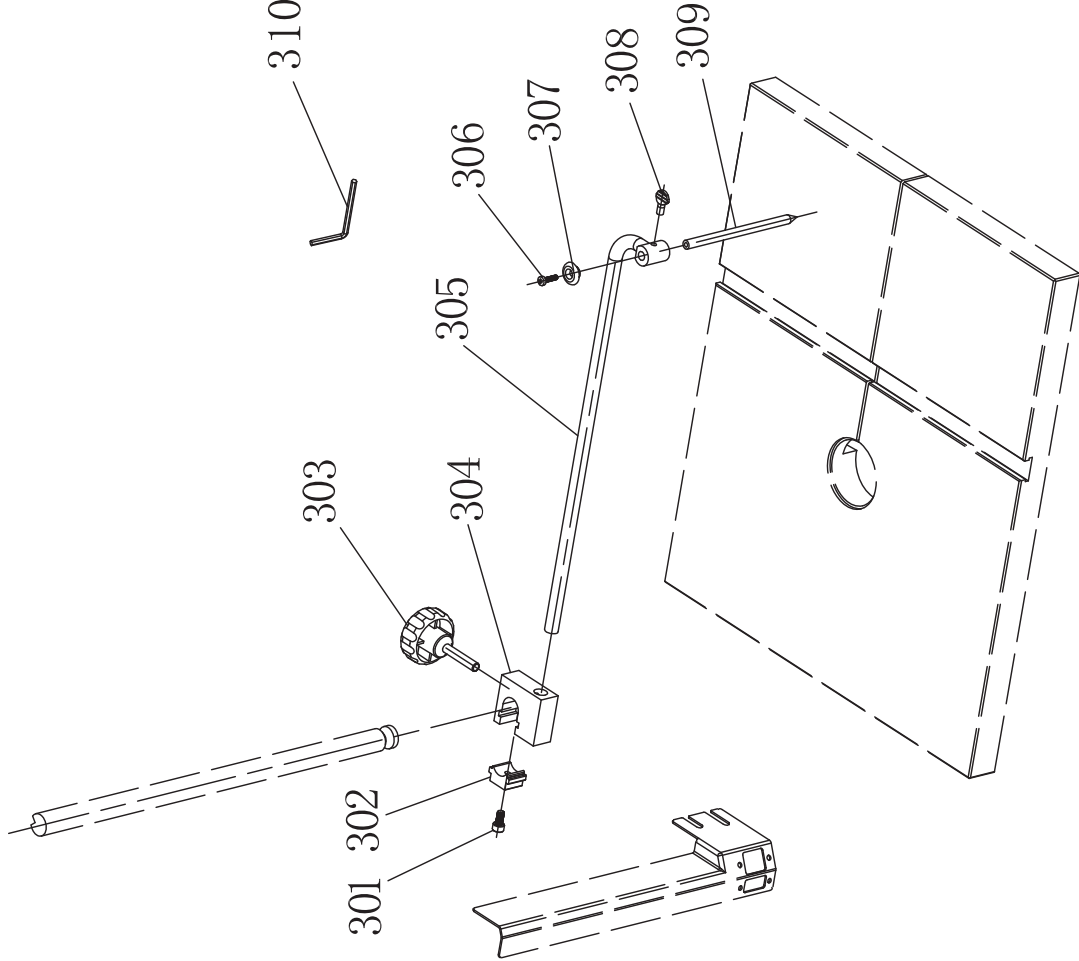
174	HEX HD BOLT M8X50 mm OR91497	2	
175	FLAT WASHER M8 OR90311	2	
176	CASTER WHEEL OR73618	2	
177	PAN HD SCREW M5x12 mm OR90761	6	
178	LOWER COVER SC10863	1	
179	SUB-BASE ASSEMBLY SC10864	1	for 50155G
179	SUB-BASE ASSEMBLY SC10865	1	for 50150G
180	FLAT WASHER M8 OR90311	7	
181	SPRING WASHER M8 OR90248	7	
182	HEX SOC HD CAP SCR M8X20 mm OR93381	7	
183	HEX SOC SET SCREW M6X10 mm OR90222	2	for 50155G
184	MOTOR PULLEY OR73614	1	
183	HEX SOC SET SCREW M5X6mm OR93906	2	for 50150G
184	MOTOR PULLEY OR74443	1	
185	CABINET ASSEMBLY SC10866	1	
186	KEY 5X45 mm OR94859	1	
187	MOTOR (1.5HP) SC10388	1	
187A	START CAPACITOR (200MFD, 50/60HZ, 230V)	1	for 50155G
187B	RUNNING CAPACITOR (35µF, 250V)	1	
187	MOTOR (1HP) SC10389		for 50150G
187A	START CAPACITOR (300µF, 125V, 60Hz) OR91723	1	
188	LOCK NUT M8 SC92724	4	
189	FLAT WASHER M8 OR90311	4	
190	SPRING WASHER M8 OR90248	4	
191	CARRIAGE BOLT (M8X20 mm) OR94775	4	
192	WIRE RETAINER OR73610	1	
193	TAP SCR PAN HD#8-32NCX3/8" SC80736	1	
194	DUST HOOD SC10867	1	

195	PAN HD SELF DRIVE TAP SCR M5X10 mm SC80737	4	
196	PAN HD SCR w/ CROSS REC M5X8 mm OR90507	2	
197	ROUND COVER SC10868	1	
198	FLAT WASHER M6 OR90060	10	
199	HEX SOC BUT HD SCR M6X12 mm SC80738	11	
200	LOCK WASHER M6 OR90502	1	
201	WIRE CLAMP OR73589	1	
202	WIRE JACKET ϕ 10X20X0.8 mm OR73588	2	
203	HINGE SC10452	2	
204	LOCK WASHER M6 OR90509	4	
205	HEX SOC HD CAP SCR M6X12 mm OR91755	4	
206	WORK LIGHT WARNING LABEL OR74267	1	
207	WORK LIGHT ASSEMBLY OR74264	1	
208	WORK JACKET OR74265	1	
209	CORD RETAINER OR74266	1	
210	SPRING WASHER M6 OR90509	2	
211	M6X12 HEX SOC HD SCREW OR91755	2	
212	SHOULDER BOLT 1 OR/SC10869	1	
212A	WAVE WASHER (1/2") OR91802	1	
213	BUTTERFLY NUT M8 OR94206	1	
214	ADJUST KNOB M8 OR73536	1	
215	M10 SHOULDER BOLT 2 OR/SC10870	1	for 50155G
216	BEARING 6203-2RS OR90218	3	
217	HEX NUT M10 OR90228	1	
218	BELT TENSION ADJUST BRACKET SC10871	1	
219	MANUAL SC75012 (50150G), MANUAL SC75013 (50155)	1	
220	SPEC LABEL SC76085	1	

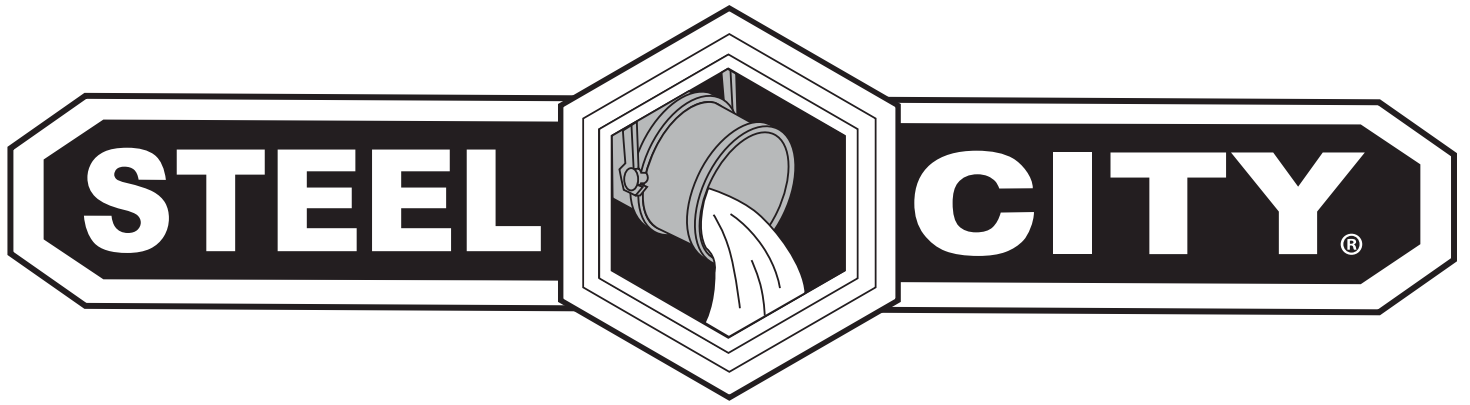
221	MOTOR LABEL (not shown) SC76086	1	
222	PACKING HOB (note shown) SC76091	1	
223	CARTON BOX (not shown) SC76092	1	for 50155G
224	SUPPORT CARDBOARD (not shown) SC76093	1	
225	CARTON LABEL (not shown) SC76090	2	
226	TABLE CARTON (not shown) SC76094	1	
220	SPEC LABEL SC76084	1	
221	MOTOR LABEL (not shown) SC76087	1	
222	PACKING HOB (not shown) SC76095	1	
223	CARTON BOX (not shown) SC76096	1	for 50150G
224	SUPPORT CARDBOARD (not shown) SC76097	1	
225	CARTON LABEL (not shown) SC76089	2	
226	TABLE CARTON (not shown) SC76098	1	
227	HEX HD SCREW M8X40 mm OR93891	3	shipping
228	FLAT WASHER OR90311	3	shipping
229	DRYING AGENT	1	shipping
230	PLASTIC BAG	1	shipping
231	MACHINE BAG	1	shipping
232	TABLE BAG	1	shipping
233	PART PACK BAG	4	shipping
234	PLASTIC BAG	1	shipping
235	ALLEN WRENCH 5mm OR91728	1	
236	ALLEN WRENCH 3mm OR90290	1	
237	ALLEN WRENCH 2.5mm OR90289	1	for 50150G
238	CARTON BOX SC76099	1	shipping

CIRCLE CUTTING ASSEMBLY

Circle Cutting Attachment Part List



NO.	DESCRIPTION	QTY.
301	HEX SOC HD SCR M6x16 mm OR93951	1
302	SLIDE BLOCK SC10872	1
303	LOCK KNOB OR72490	1
	HEX HD SCREW M8x60 mm SC80740	1
304	SLIDE BASE SC10873	1
305	SLIDE ROD SC10874	1
306	PAN HD SCR M4X12 mm SC80739	1
307	STOPPING KNOB SC10875	1
308	THUMB SCREW II (M6x10 mm) OR73558	1
309	DRAWING PIN SC10876	1
310	HEX WRENCH 5mm OR93547	1
311	CARTON BOX (not shown) SC76100	1
312	PART PACK BAG (not shown)	2
313	PLASTIC BAG (not shown)	1



STEEL CITY TOOL WORKS

www.steelcitytoolworks.com

1-877-SC4-TOOL
(1-877-724-8665)

NOTES

www.steelcitytoolworks.com

Steel City Tool Works, LLC Bolingbrook, IL. USA 60440

Tech Service: 1.877.724.8665