



## User Manual

Read and understand this manual before using machine.

---

# OSCILLATING EDGE SANDER



Model No.  
55230



STEEL CITY TOOL WORKS

Manual Part No. OR73976  
VER. 4.07



**THANK YOU** for purchasing your new Steel City Oscillating Edge Sander. This edge sander has been designed, tested, and inspected with you, the customer, in mind. When properly assembled, used and maintained, your edge sander will provide you with years of trouble free service, which is why it is backed by one of the longest machinery warranties in the business.

This edge sander is just one of many products in the Steel City's family of woodworking machinery and is proof of our commitment to total customer satisfaction.

At Steel City we continue to strive for excellence each and every day and value the opinion of you, our customer. For comments about your edge sander or Steel City Tool Works, please visit our web site at [www.steelcitytoolworks.com](http://www.steelcitytoolworks.com) .

# TABLE OF CONTENTS

## INTRODUCTION

<b>SECTION 1</b>	Warranty .....	4
<b>SECTION 2</b>	Product Specifications .....	7
<b>SECTION 3</b>	Accessories and Attachments .....	7
<b>SECTION 4</b>	Feature Identification .....	8
<b>SECTION 5</b>	General Safety .....	9
<b>SECTION 6</b>	Product Safety .....	11
<b>SECTION 7</b>	Electrical Requirements .....	12
<b>SECTION 8</b>	Unpacking & Inventory .....	14
<b>SECTION 9</b>	Assembly .....	16
<b>SECTION 10</b>	Adjustments .....	20
<b>SECTION 11</b>	Operations .....	23
<b>SECTION 12</b>	Maintenance .....	24
<b>SECTION 13</b>	Troubleshooting .....	25
<b>SECTION 14</b>	Parts List .....	26

## INTRODUCTION

This user manual is intended for use by anyone working with this machine. It should be kept available for immediate reference so that all operations can be performed with maximum efficiency and safety. Do not attempt to perform maintenance or operate this machine until you have read and understand the information contained in this manual.

The drawings, illustrations, photographs, and specifications in this user manual represent your machine at time of print. However, changes may be made to your machine or this manual at any time with no obligation to Steel City Tool Works.

# WARRANTY

## STEEL CITY TOOL WORKS 5 YEAR LIMITED WARRANTY

Steel City Tool Works, LLC (“SCTW”) warrants all “STEEL CITY TOOL WORKS” machinery to be free of defects in workmanship and materials for a period of 5 years from the date of the original retail purchase by the original owner. SCTW will repair or replace, at its expense and at its option, any SCTW machine, machine part, or machine accessory which in normal use has proven to be defective, provided that the customer returns the product, shipping prepaid, to an authorized service center with proof of purchase and provides SCTW with a reasonable opportunity to verify the alleged defect by inspection. This warranty does not apply to defects due directly or indirectly to misuse, abuse, negligence, accidents, or lack of maintenance, or to repairs or alterations made or specifically authorized by anyone other than SCTW. Normal wear components are also excluded under this coverage. Every effort has been made to ensure that all SCTW machinery meets the highest quality and durability standards. We reserve the right to change specifications at any time due to our commitment to continuous improvement of the quality of our products.

EXCEPT AS SET FORTH ABOVE, SCTW MAKES NO EXPRESS OR IMPLIED REPRESENTATIONS OR WARRANTIES WITH RESPECT TO ITS MACHINERY, OR ITS CONDITION, MERCHANTABILITY, OR FITNESS FOR ANY PARTICULAR PURPOSE OR USE. SCTW FURNISHES THE ABOVE WARRANTIES IN LIEU OF ALL OTHER WARRANTIES, EXPRESS OR IMPLIED, INCLUDING THE WARRANTIES OF MERCHANTABILITY AND FITNESS FOR A PARTICULAR PURPOSE, WHICH ARE HEREBY SPECIFICALLY DISCLAIMED.

SCTW SHALL NOT BE LIABLE FOR ANY (A) SPECIAL, INDIRECT, INCIDENTAL, PUNITIVE OR CONSEQUENTIAL DAMAGES, INCLUDING WITHOUT LIMITATION LOSS OF PROFITS, ARISING FROM OR RELATED TO THIS WARRANTY, THE BREACH OF ANY AGREEMENT OR WARRANTY, OR THE OPERATION OR USE OF ITS MACHINERY, INCLUDING WITHOUT LIMITATION DAMAGES ARISING FROM DAMAGE TO FIXTURES, TOOLS, EQUIPMENT, PARTS OR MATERIALS, DIRECT OR INDIRECT LOSS CAUSED BY ANY OTHER PARTY, LOSS OF REVENUE OR PROFITS, FINANCING OR INTEREST CHARGES, AND CLAIMS BY ANY THIRD PERSON, WHETHER OR NOT NOTICE OF SUCH POSSIBLE DAMAGES HAS BEEN GIVEN TO SCTW; (B) DAMAGES OF ANY KIND FOR ANY DELAY BY OR FAILURE OF SCTW TO PERFORM ITS OBLIGATIONS UNDER THIS AGREEMENT; OR (C) CLAIMS MADE A SUBJECT OF A LEGAL PROCEEDING AGAINST SCTW MORE THAN ONE (1) YEAR AFTER SUCH CAUSE OF ACTION FIRST AROSE.

The validity, construction and performance of this Warranty and any sale of machinery by SCTW shall be governed by the laws of the Commonwealth of Pennsylvania, without regard to conflicts of laws provisions of any jurisdiction. Any action related in any way to any alleged or actual offer, acceptance or sale by SCTW, or any claim related to the performance of any agreement including without limitation this Warranty, shall take place in the federal or state courts in Allegheny County, Pennsylvania.

**STEEL CITY TOOL WORKS**

# WARRANTY CARD

Name \_\_\_\_\_  
 Street \_\_\_\_\_  
 Apt. No. \_\_\_\_\_  
 City \_\_\_\_\_ State \_\_\_\_\_ Zip \_\_\_\_\_  
 Phone Number \_\_\_\_\_  
 E-Mail \_\_\_\_\_

Product Description: \_\_\_\_\_  
 Model No.: \_\_\_\_\_  
 Serial No. \_\_\_\_\_

***The following information is given on a voluntary basis and is strictly confidential.***

1. Where did you purchase your STEEL CITY machine?  
 Store: \_\_\_\_\_  
 City: \_\_\_\_\_

2. How did you first learn of Steel City Tool Works?  
 Advertisement       Mail Order Catalog  
 Web Site             Friend  
 Local Store         Other \_\_\_\_\_

3. Which of the following magazines do you subscribe to?  
 American Woodworker       American How-To  
 Cabinetmaker                 Family Handyman  
 Fine Homebuilding          Fine Woodworking  
 Journal of Light Construction    Old House Journal  
 Popular Mechanics          Popular Science  
 Popular Woodworking        Today's Homeowner  
 WOOD                          Woodcraft  
 WOODEN Boat                Woodshop News  
 Woodsmith                   Woodwork  
 Woodworker                  Woodworker's Journal  
 Workbench                  Other \_\_\_\_\_

4. Which of the following woodworking / remodeling shows do you watch?  
 Backyard America       The American Woodworker  
 Home Time                 The New Yankee Workshop  
 This Old House          Woodwright's Shop  
 Other \_\_\_\_\_

5. What is your annual household income?  
 \$20,000 to \$29,999       \$30,000 to \$39,999  
 \$40,000 to \$49,999       \$50,000 to \$59,999  
 \$60,000 to \$69,999       70,000 to \$79,999  
 \$80,000 to \$89,999       \$90,000 +

6. What is your age group?  
 20 to 29 years             30 to 39 years  
 40 to 49 years             50 to 59 years  
 60 to 69 years             70 + years

7. How long have you been a woodworker?  
 0 to 2 years                 2 to 8 years  
 8 to 20 years               over 20 years

8. How would you rank your woodworking skills?  
 Simple                       Intermediate  
 Advance                     Master Craftsman

9. How many Steel City machines do you own? \_\_\_\_\_

10. What stationary woodworking tools do you own?  
*Check all that apply.*  
 Air Compressor             Band Saw  
 Drill Press                  Drum Sander  
 Dust Collection             Horizontal Boring Machine  
 Jointer                       Lathe  
 Mortiser                     Panel Saw  
 Planer                        Power Feeder  
 Radial Arm Saw             Shaper  
 Spindle Sander             Table Saw  
 Vacuum Veneer Press     Wide Belt Sander  
 Other \_\_\_\_\_

11. Which benchtop tools do you own? *Check all that apply.*  
 Belt Sander                 Belt / Disc Sander  
 Drill Press                  Band Saw  
 Grinder                     Mini Jointer  
 Mini Lathe                  Scroll Saw  
 Spindle / Belt Sander    Other \_\_\_\_\_

12. Which portable / hand held power tools do you own?  
*Check all that apply.*  
 Belt Sander                 Biscuit Jointer  
 Dust Collector             Circular Saw  
 Detail Sander              Drill / Driver  
 Miter Saw                  Orbital Sander  
 Palm Sander                Portable Thickness Planer  
 Saber Saw                  Reciprocating Saw  
 Router                      Other \_\_\_\_\_

13. What machines / accessories would you like to see added to the STEEL CITY line?  
 \_\_\_\_\_  
 \_\_\_\_\_

14. What new accessories would you like to see added?  
 \_\_\_\_\_  
 \_\_\_\_\_

15. Do you think your purchase represents good value?  
 Yes                         No

16. Would you recommend STEEL CITY products to a friend?  
 Yes                         No

17. Comments:  
 \_\_\_\_\_  
 \_\_\_\_\_  
 \_\_\_\_\_  
 \_\_\_\_\_

CUT HERE

FOLD ON DOTTED LINE

---

PLACE  
STAMP  
HERE

**Steel City Tool Works**  
**P.O. Box 10529**  
**Murfreesboro, TN 37129**

---

FOLD ON DOTTED LINE

# PRODUCT SPECIFICATIONS

## Product Specifications

Platen size	7" x 33"
Platen Tilt	0 - 90 degrees
Main Table size	10" x 30"
End Table size	9-3/4" x 12"
Fence size	5" x 23-1/2"
Abrasive Belt size	6" x 89"
Abrasive Belt speed	3900 SFPM
Abrasive Belt Oscillation Stroke	1/2"
Abrasive Belt Oscillation Cycle	108 ft./min.
Table Travel	3"

## Motor Specifications

Type	Induction
Horsepower	2 HP
Amps	11
Voltage	230
Phase	Single
Hertz	60
RPM	3450

## Product Dimensions

Footprint	22" x 17-1/2"
Length	54-1/2"
Width	18-1/2"
Height	43-1/2"
Table Height from floor	38"
Weight	270 lbs.

## Shipping Dimensions

### Base

Length	62 cm / 24"
Width	49 cm / 19"
Height	66 cm / 26"
Gross weight	19 kg / 42 lbs.

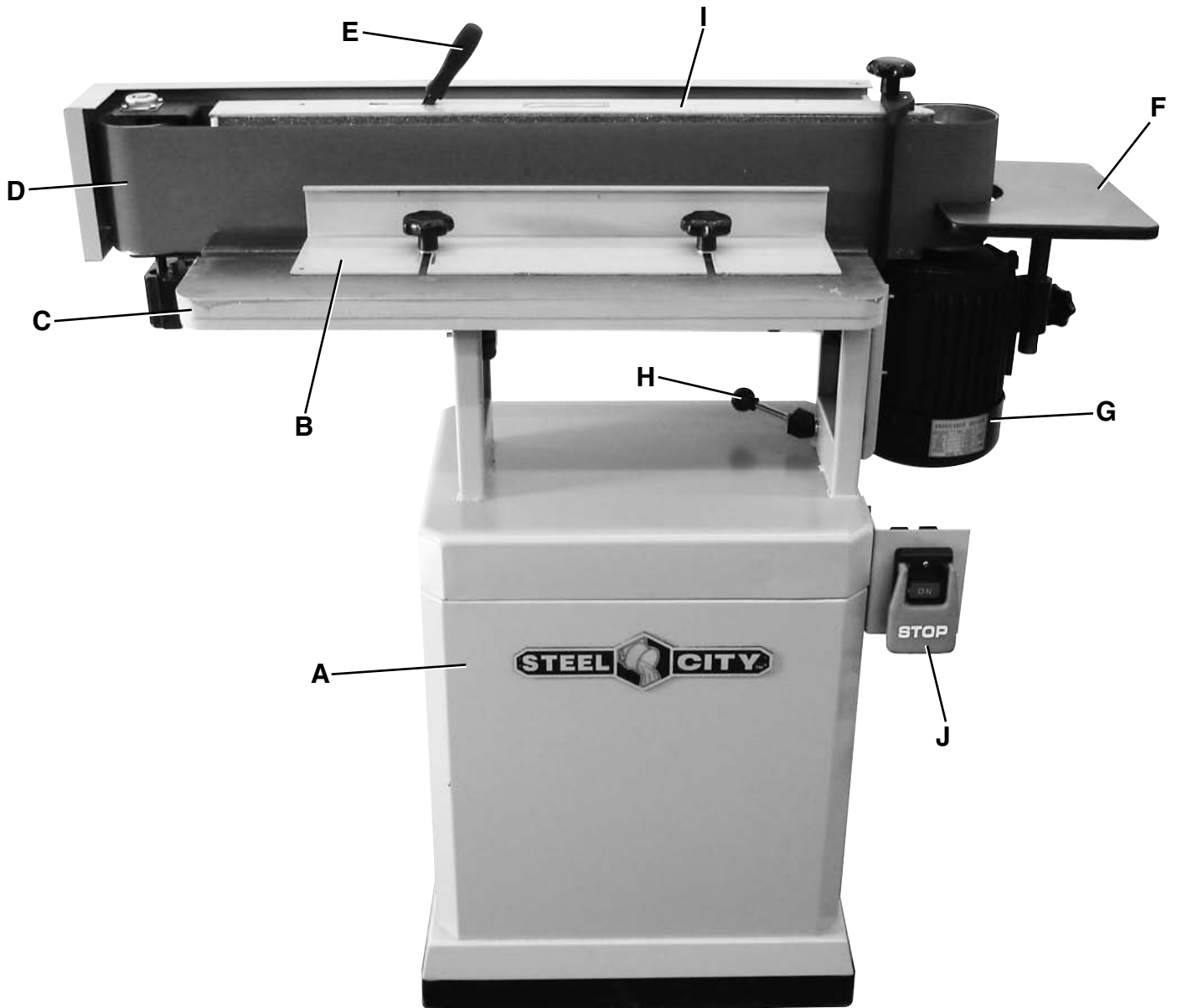
### Sander

Length	126 cm / 50"
Width	67 cm / 26"
Height	52.5 cm / 21"
Gross weight	165 kg / 364 lbs.

# ACCESSORIES AND ATTACHMENTS

There are a variety of accessories available for your Steel City Product. For more information on any accessories associated with this and other machines, please contact your nearest Steel City distributor, or visit our website at: [www.steelcitytoolworks.com](http://www.steelcitytoolworks.com).

# FEATURE IDENTIFICATION



- A. CABINET
- B. FENCE
- C. MAIN TABLE
- D. SANDING BELT
- E. BELT TENSION HANDLE
- F. EXTENSION TABLE
- G. MOTOR
- H. PLATEN LOCKING HANDLE
- I. PLATEN
- J. SWITCH



# GENERAL SAFETY

## **⚠ WARNING**

**TO AVOID** serious injury and damage to the machine, read and follow all Safety and Operating Instructions before assembling and operating this machine.

This manual is not totally comprehensive. It does not and can not convey every possible safety and operational problem which may arise while using this machine. The manual will cover many of the basic and specific safety procedures needed in an industrial environment.

All federal and state laws and any regulations having jurisdiction covering the safety requirements for use of this machine take precedence over the statements in this manual. Users of this machine must adhere to all such regulations.

Below is a list of symbols that are used to attract your attention to possible dangerous conditions.



This is the international safety alert symbol. It is used to alert you to potential personal injury hazards. Obey all safety messages that follow this symbol to avoid possible injury or death.

## **⚠ DANGER**

Indicates an imminently hazardous situation which, if not avoided, **WILL** result in death or serious injury.

## **⚠ WARNING**

Indicates a potentially hazardous situation which, if not avoided, **COULD** result in death or serious injury.

## **⚠ CAUTION**

Indicates a potentially hazardous situation, if not avoided, **MAY** result in minor or moderate injury. It may also be used to alert against unsafe practices.

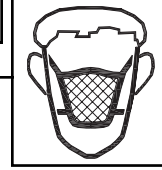
## **CAUTION**

**CAUTION** used without the safety alert symbol indicates a potentially hazardous situation which, if not avoided, may result in property damage.

## **NOTICE**

This symbol is used to alert the user to useful information about proper operation of the machine.

## **⚠ WARNING**



Exposure to the dust created by power sanding, sawing, grinding, drilling and other construction activities may cause serious and permanent respiratory or other injury, including silicosis (a serious lung disease), cancer, and death. Avoid breathing the dust, and avoid prolonged contact with dust. The dust may contain chemicals known to the State of California to cause cancer, birth defects or other reproductive harm.

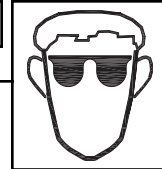
Some examples of these chemicals are:

- Lead from lead-based paints.
- Crystalline silica from bricks, cement and other masonry products.
- Arsenic and chromium from chemically-treated lumber.

Always operate tool in well ventilated area and provide for proper dust removal. Use a dust collection system along with an air filtration system whenever possible. Always use properly fitting NIOSH/OSHA approved respiratory protection appropriate for the dust exposure, and wash exposed areas with soap and water.

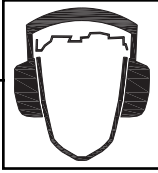
1. To avoid serious injury and damage to the machine, read the entire User Manual before assembly and operation of this machine.

## **⚠ WARNING**



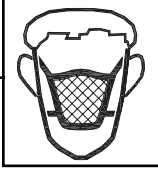
2. **ALWAYS** wear eye protection. Any machine can throw debris into the eyes during operations, which could cause severe and permanent eye damage. Everyday eyeglasses are **NOT** safety glasses. **ALWAYS** wear Safety Goggles (that comply with ANSI standard Z87.1) when operating power tools.

**⚠ WARNING**



3. **ALWAYS** wear hearing protection. Plain cotton is not an acceptable protective device. Hearing equipment should comply with ANSI S3.19 Standards.

**⚠ WARNING**



4. **ALWAYS** wear a NIOSH/OSHA approved dust mask to prevent inhaling dangerous dust or airborne particles.

5. **ALWAYS** keep the work area clean, well lit, and organized. **DO NOT** work in an area that has slippery floor surfaces from debris, grease, and wax.
6. **ALWAYS** unplug the machine from the electrical receptacle before making adjustments, changing parts or performing any maintenance.
7. **AVOID ACCIDENTAL STARTING.** Make sure that the power switch is in the "OFF" position before plugging in the power cord to the electrical receptacle.

**⚠ WARNING**



8. **AVOID** a dangerous working environment. **DO NOT** use electrical tools in a damp environment or expose them to rain or moisture.

**⚠ WARNING**



9. **CHILDPROOF THE WORKSHOP AREA** by removing switch keys, unplugging tools from the electrical receptacles, and using padlocks.

10. **DO NOT** use electrical tools in the presence of flammable liquids or gasses.

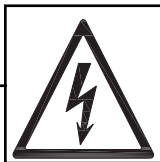
11. **DO NOT FORCE** the machine to perform an operation for which it was not designed. It will do a safer and higher quality job by only performing operations for which the machine was intended.
12. **DO NOT** stand on a machine. Serious injury could result if it tips over or you accidentally contact any moving part.
13. **DO NOT** store anything above or near the machine.
14. **DO NOT** operate any machine or tool if under the influence of drugs, alcohol, or medication.
15. **EACH AND EVERY** time, check for damaged parts prior to using any machine. Carefully check all guards to see that they operate properly, are not damaged, and perform their intended functions. Check for alignment, binding or breakage of all moving parts. Any guard or other part that is damaged should be immediately repaired or replaced.
16. Ground all machines. If any machine is supplied with a 3-prong plug, it must be plugged into a 3-contact electrical receptacle. The third prong is used to ground the tool and provide protection against accidental electric shock. **DO NOT** remove the third prong.
17. Keep visitors and children away from any machine. **DO NOT** permit people to be in the immediate work area, especially when the machine is operating.
18. **KEEP** protective guards in place and in working order.
19. **MAINTAIN** your balance. **DO NOT** extend yourself over the tool. Wear oil resistant rubber soled shoes. Keep floor clear of debris, grease, and wax.
20. **MAINTAIN** all machines with care. **ALWAYS KEEP** machine clean and in good working order. **KEEP** all blades and tool bits sharp.
21. **NEVER** leave a machine running, unattended. Turn the power switch to the OFF position. **DO NOT** leave the machine until it has come to a complete stop.
22. **REMOVE ALL MAINTENANCE TOOLS** from the immediate area prior to turning the machine ON.
23. **SECURE** all work. When it is possible, use clamps or jigs to secure the workpiece. This is safer than attempting to hold the workpiece with your hands.
24. **STAY ALERT**, watch what you are doing, and use common sense when operating any machine. **DO NOT** operate any machine tool while tired or under the influence of drugs, alcohol, or medication. A moment of inattention while operating power tools may result in serious personal injury.

25. **USE ONLY** recommended accessories. Use of incorrect or improper accessories could cause serious injury to the operator and cause damage to the machine. If in doubt, **DO NOT** use it.
26. **THE USE** of extension cords is not recommended for 230V equipment. It is better to arrange the placement of your equipment and the installed wiring to eliminate the need for an extension cord. If an extension cord is necessary, refer to the chart in the Grounding Instructions section to determine the minimum gauge for the extension cord. The extension cord must also contain a ground wire and plug pin.
27. Wear proper clothing, **DO NOT** wear loose clothing, gloves, neckties, or jewelry. These items can get caught in the machine during operations and pull the operator into the moving parts. Users must wear a protective cover on their hair, if the hair is long, to prevent it from contacting any moving parts.
28. **SAVE** these instructions and refer to them frequently and use them to instruct other users.
29. Information regarding the safe and proper operation of this tool is also available from the following sources:
  - Power Tool Institute  
1300 Summer Avenue  
Cleveland, OH 44115-2851  
[www.powertoolinstitute.org](http://www.powertoolinstitute.org)
  - National Safety Council  
1121 Spring Lake Drive  
Itasca, IL 60143-3201
  - American National Standards Institute  
25 West 43rd St, 4th Floor  
New York, NY. 10036  
ANSI 01.1 Safety Requirements  
For Woodworking Machines  
[WWW.ANSI.ORG](http://WWW.ANSI.ORG)
  - U.S. Department of Labor Regulations  
OSHA 1910.213 Regulations  
[WWW.OSHA.GOV](http://WWW.OSHA.GOV)

## PRODUCT SAFETY

1. Serious personal injury may occur if normal safety precautions are overlooked or ignored. Accidents are frequently caused by lack of familiarity or failure to pay attention. Obtain advice from supervisor, instructor, or another qualified individual who is familiar with this machine and its operations.
2. Every work area is different. Always consider safety first, as it applies to your work area. Use this machine with respect and caution. Failure to do so could result in serious personal injury and damage to the machine.
3. Prevent electrical shock. Follow all electrical and safety codes, including the National Electrical Code (NEC) and the Occupational Safety and Health Regulations (OSHA). All electrical connections and wiring should be made by qualified personnel only.
4. **TO REDUCE** the risk of electrical shock. **DO NOT** use this machine outdoors. **DO NOT** expose to rain or moisture. Store indoors in a dry area.
5. **STOP** using this machine, if at any time you experience difficulties in performing any operation. Contact your supervisor, instructor or machine service center immediately.
6. Safety decals are on this machine to warn and direct you to how to protect yourself or visitors from personal injury. These decals **MUST** be maintained so that they are legible. **REPLACE** decals that are not legible.
7. **DO NOT** leave the unit plugged into the electrical outlet. Unplug the unit from the outlet when not in use and before servicing, performing maintenance tasks, or cleaning.
8. **ALWAYS** turn the power switch "OFF" before unplugging the oscillating edge sander.

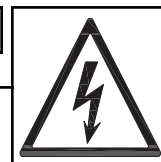
**▲ WARNING**



4. **TO REDUCE** the risk of electrical shock. **DO NOT** use this machine outdoors. **DO NOT** expose to rain or moisture. Store indoors in a dry area.

5. **STOP** using this machine, if at any time you experience difficulties in performing any operation. Contact your supervisor, instructor or machine service center immediately.

**▲ WARNING**



9. **DO NOT** handle the plug or oscillating edge sander with wet hands.

10. **USE** accessories only recommended by Steel City.
11. **DO NOT** pull the oscillating edge sander by the power cord. **NEVER** allow the power cord to come in contact with sharp edges, hot surfaces, oil or grease.
12. **DO NOT** unplug the oscillating edge sander by pulling on the power cord. **ALWAYS** grasp the plug, not the cord.

13. **REPLACE** a damaged cord immediately. **DO NOT** use a damaged cord or plug. **DO NOT** use if the oscillating edge sander is not operating properly, or has been damaged, left outdoors or has been in contact with water.
14. **DO NOT** use the oscillating edge sander as a toy. **DO NOT** use near or around children.
15. **ALWAYS** wear eye protection. The operation of any edge sander can result in debris being thrown into your eyes, causing severe eye damage. Everyday glasses are not safety glasses. Wear safety glasses that comply with ANSI standard Z87.1
16. **DO NOT** jam the workpiece against the sanding surfaces. Use both hands to grasp the workpiece and ease it against the belt using light pressure.
17. **DO NOT** place hands near, or in contact with, sanding surfaces during operation.
18. **ALWAYS** use two hands to grasp the workpiece.
19. **NEVER** sand more than one piece of stock at a time.
20. **ALWAYS** inspect the workpiece for nails, staples, knots, and other imperfections that could be dislodged and thrown from the machine during sanding operations.
21. **NEVER** operate the sander without an adequate dust collection system in place and running.
22. **NEVER** sand tapered or pointed stock with the point facing the feed direction.
23. **ALWAYS** disconnect the machine from the power source before changing the abrasive belt or performing any cleaning and/ or maintenance tasks.
24. **ALWAYS** feed the workpiece against the rotation of the sanding surface.
25. **NEVER** wear gloves or loose clothing when sanding. **NEVER** hold the workpiece with a rag when sanding.
26. **NEVER** start the machine with the workpiece against the sanding surface.
27. **NEVER** start the machine before clearing the table of all objects (tools, scrap pieces, etc.).

## ELECTRICAL REQUIREMENTS

### **WARNING**



To reduce the risk of electric shock, follow all electrical and safety codes, including the National Electric Code (NEC) and the Occupational Safety and Health Regulations (OSHA). All electrical connections and wiring should be made by qualified personnel only.

The switch provided with your edge sander is designed for 230 volt single phase usage only. The switch has a plug that is designed to plug into a 230 volt outlet. There are many different configurations for 230 volt outlets, so it is conceivable that the configuration of the plug may not match the configuration of your existing outlet. If this is the case, you will have to replace the plug with a UL/CSA approved plug that matches the configuration of your 230V outlet.

# GROUNDING INSTRUCTIONS

## ⚠ WARNING



This machine **MUST BE GROUNDED** while in use to protect the operator from electric shock.

In the event of a malfunction or breakdown, **GROUNDING** provides the path of least resistance for electric current and reduces the risk of electric shock. The plug **MUST** be plugged into a matching electrical receptacle that is properly installed and grounded in accordance with **ALL** local codes and ordinances.

If a plug is provided with your machine **DO NOT** modify the plug. If it will not fit your electrical receptacle, have a qualified electrician install the proper connections to meet all electrical codes local and state. All connections must also adhere to all of OSHA mandates.

**IMPROPER ELECTRICAL CONNECTION** of the equipment-grounding conductor can result in risk of electric shock. The conductor with the green insulation (with or without yellow stripes) is the equipment-grounding conductor. **DO NOT** connect the equipment-grounding conductor to a live terminal.

Check with a qualified electrician or service personnel if you do not completely understand the grounding instructions, or if you are not sure the tool is properly grounded.

## PLUGS/RECEPTACLES

## ⚠ WARNING



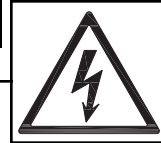
- Electrocution or fire could result if this machine is not grounded properly or if the electrical configuration does not comply with local and state electrical codes.
- **MAKE CERTAIN** the machine is disconnected from power source before starting any electrical work.
- **MAKE SURE** the circuit breaker does not exceed the rating of the plug and receptacle.

The motor supplied with your machine is a 230 volt, 60 hertz, single phase motor. Never connect the green or ground wire to a live terminal.

A machine with a 230 volt plug should only be connected to an outlet having the same configuration as the plug.

## EXTENSION CORDS

## ⚠ WARNING



To reduce the risk of fire or electrical shock, use the proper gauge of extension cord. When using an extension cord, be sure to use one heavy enough to carry the current your machine will draw.

The smaller the gauge-number, the larger the diameter of the extension cord is. If in doubt of the proper size of an extension cord, use a shorter and thicker cord. An undersized cord will cause a drop in line voltage resulting in a loss of power and overheating.

## ⚠ CAUTION

**USE ONLY** a 3-wire extension cord that has a 3-prong grounding plug and a 3-pole receptacle that accepts the machine's plug.

If you are using an extension cord outdoors, be sure it is marked with the suffix "W-A" ("W" in Canada) to indicate that it is acceptable for outdoor use.

Make certain the extension cord is properly sized, and in good electrical condition. Always replace a worn or damaged extension cord immediately or have it repaired by a qualified person before using it.

Protect your extension cords from sharp objects, excessive heat, and damp or wet areas.

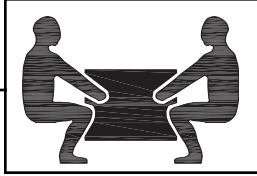
### MINIMUM RECOMMENDED GAUGE FOR EXTENSION CORDS (AWG)

230 VOLT OPERATION ONLY			
	25' LONG	50' LONG	100' LONG
0 to 6 Amps	16 AWG	16 AWG	14 AWG
6 to 8 Amps	16 AWG	16 AWG	12 AWG
8 to 12 Amps	14 AWG	14 AWG	10 AWG
12 to 15 Amps	12 AWG	12 AWG	10 AWG
15 to 20 Amps	10 AWG	10 AWG	Not recommended



# UNPACKING & INVENTORY

## ⚠ WARNING



- The machine is heavy, two people are required to unpack and lift.
- Use a safety strap to avoid tip over when lifting machine.

Check shipping carton and machine for damage before unpacking. Carefully remove packaging materials, parts and machine from shipping carton. Always check for and remove protective shipping materials around motors and moving parts. Lay out all parts on a clean work surface.

Remove any protective materials and coatings from all of the parts and the oscillating edge sander. The pro-

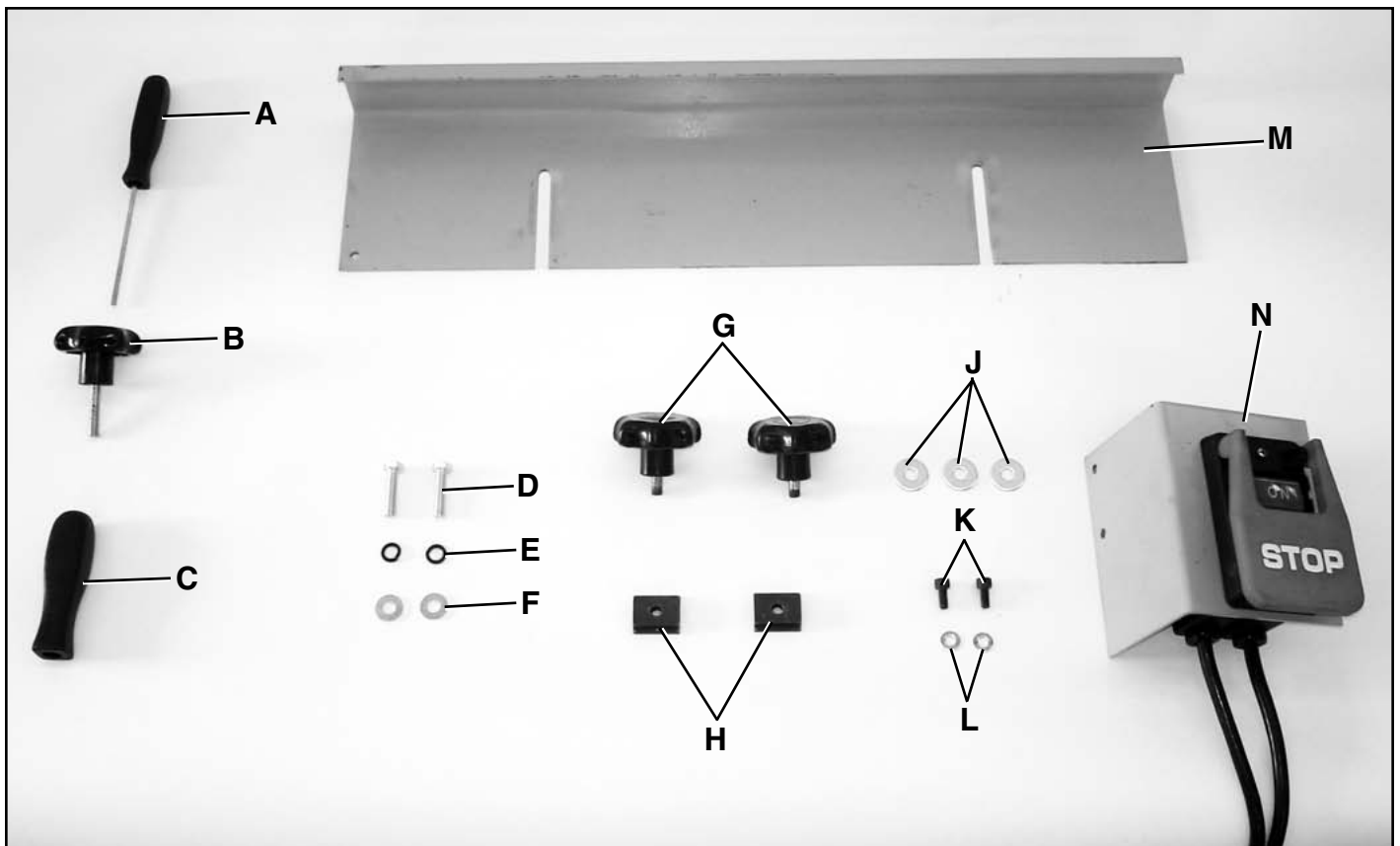
TECTIVE coatings can be removed by spraying WD-40 on them and wiping it off with a soft cloth. This may need redone several times before all of the protective coatings are removed completely.

After cleaning, apply a good quality paste wax to any unpainted surfaces. Make sure to buff out the wax before assembly.

Compare the items to inventory figures; verify that all items are accounted for before discarding the shipping box.

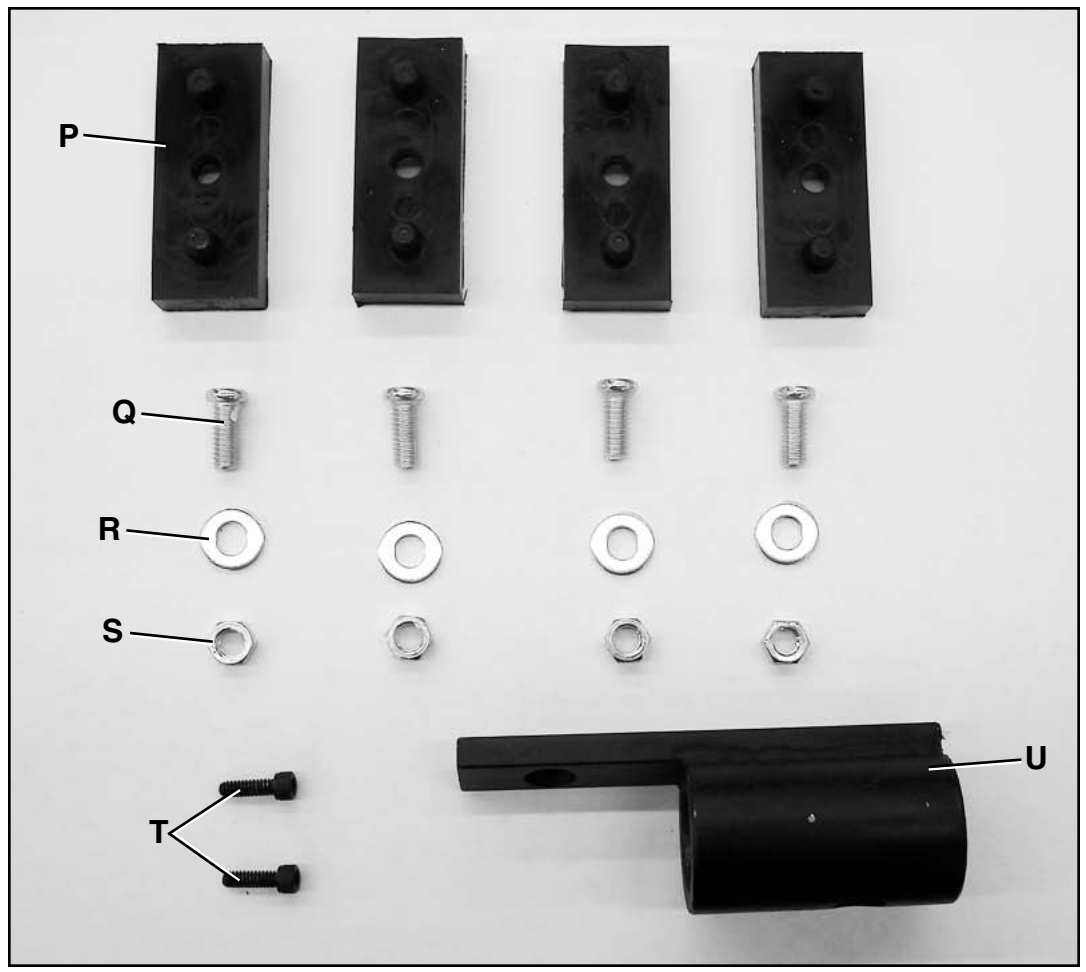
## ⚠ WARNING

If any parts are missing, do not attempt to plug in the power cord and turn "ON" the machine. The machine should only be turned "ON" after all the parts have been obtained and installed correctly. **For missing parts, contact Steel City at 1-877-SC4-TOOL.**

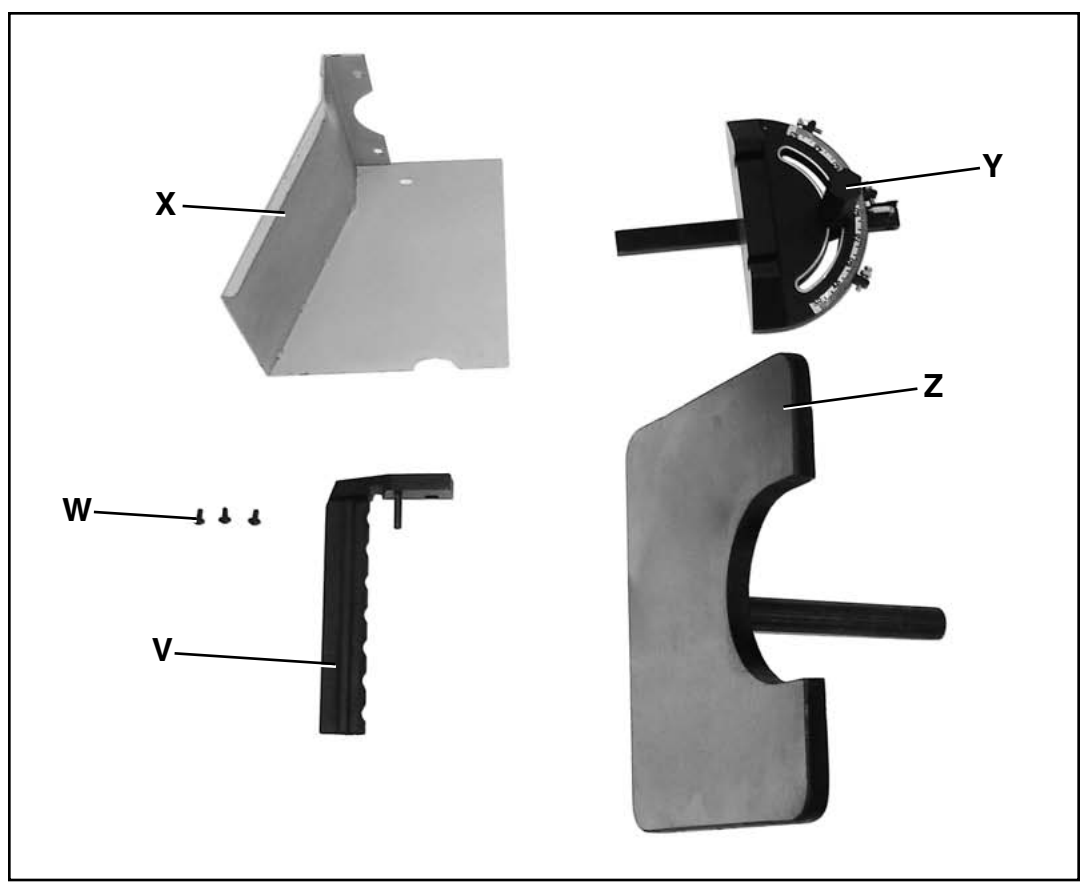


- |                               |                          |                                 |
|-------------------------------|--------------------------|---------------------------------|
| A. Adjustment Tool            | E. 5/16" Lock Washer (2) | K. 1/4-20 x 1/2" Soc Hd Scr (2) |
| B. Workpiece Rest Lock Knob   | F. 5/16" Flat Washer (2) | L. 1/4" Flat Washer (2)         |
| C. Belt Tension Handle        | G. Fence Lock knobs (2)  | M. Fence                        |
| D. 5/16"-18 x 1-1/4" Bolt (2) | H. T-Nuts (2)            | N. Switch                       |
|                               | J. 5/16" Flat Washer (3) |                                 |

- P. Feet (4)
- Q. 5/16-18 x 5/8" Screw (4)
- R. 5/16" Flat Washer (4)
- S. 5/16-18 Hex Nut (4)
- T. 3/16-24 x 3/8" Soc Hd. Scr (2)
- U. Extension Table Mounting Bracket



- V. Workpiece Support
- W. 3/16-24 x 1/4" Screw (3)
- X. Motor Drum Guard
- Y. Miter Gauge
- Z. Extension Table



# ASSEMBLY

## **⚠ WARNING**

**MAKE CERTAIN MACHINE IS DISCONNECTED FROM THE POWER SOURCE.**

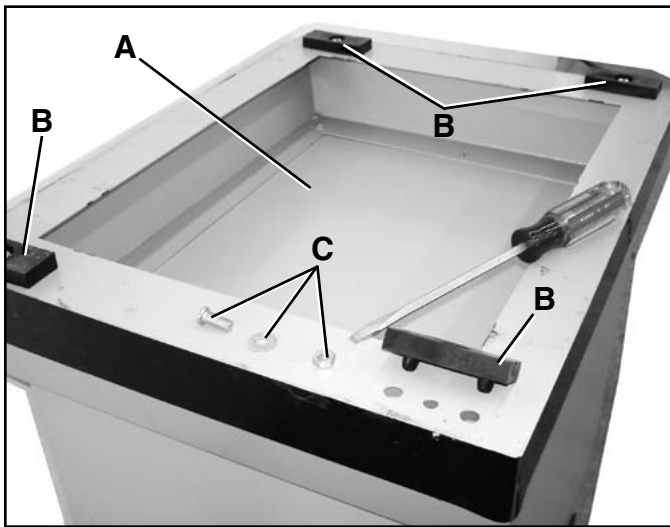
## CABINET ASSEMBLY

## **⚠ WARNING**

**MAKE CERTAIN THE MACHINE IS DISCONNECTED FROM THE POWER SOURCE.**

1. Turn cabinet (A) upside down. **SEE FIG. 1.**

**Fig. 1**



2. Install 4 feet (B) using four 5/16-18 x 5/8" screws, four 5/16 flat washers, and four 5/16-18 nuts (C).

**NOTE:** Make sure to align the two tabs on the feet with the holes in the cabinet.

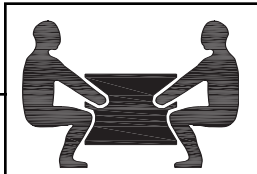
3. Tighten all hardware.

## SANDER TO CABINET

## **⚠ WARNING**

**MAKE CERTAIN THE MACHINE IS DISCONNECTED FROM THE POWER SOURCE.**

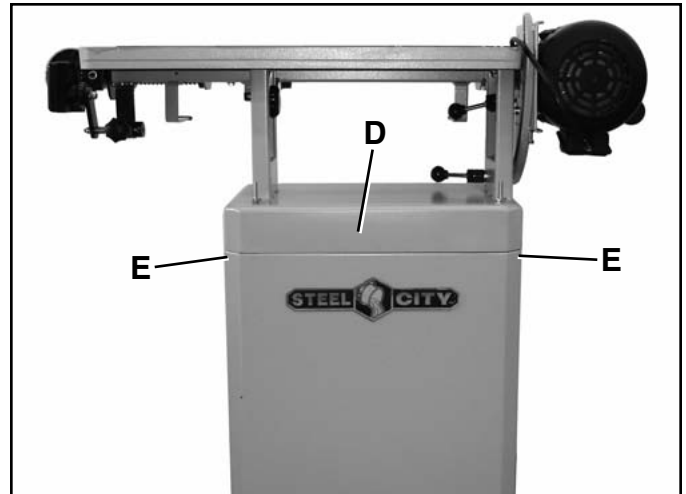
## **⚠ WARNING**



- The machine is heavy, two people are required to unpack and lift.
- Use a safety strap to avoid tip over when lifting machine.

1. Turn cabinet upright.
2. Have two or more people help lift the sander (D) and place it squarely on the cabinet. **SEE FIG. 2**

**Fig. 2**



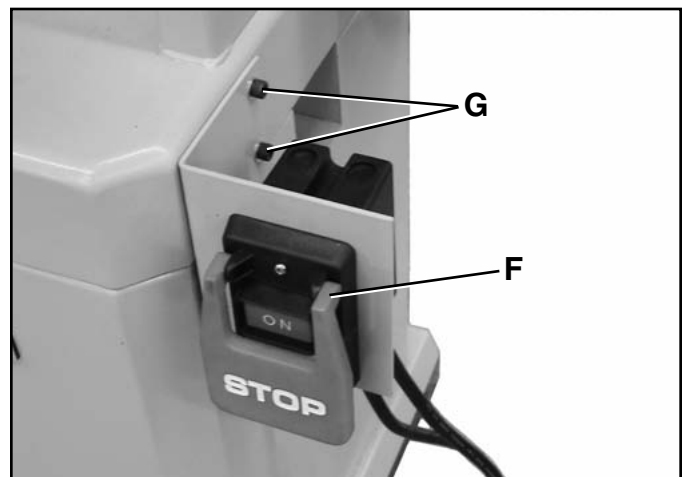
3. Align the two holes (E) on the sides of the cabinet with the two holes on the base of the sander.
4. Attach the sander to the cabinet using two 5/16-18 x 1/1-4"bolts, two 5/16" lock washers and two 5/16" flat washers. Tighten hardware.

## SWITCH

## **⚠ WARNING**

**MAKE CERTAIN THE MACHINE IS DISCONNECTED FROM THE POWER SOURCE.**

**Fig. 3**



1. Mount the switch (F) to the right side of the cabinet using two 1/4-20 x 1/2" Soc Hd Scr. and two 1/4" flat washers (G). **SEE FIG. 3.**
2. Connect the switch cord to the motor cord.



## EXTENSION TABLE

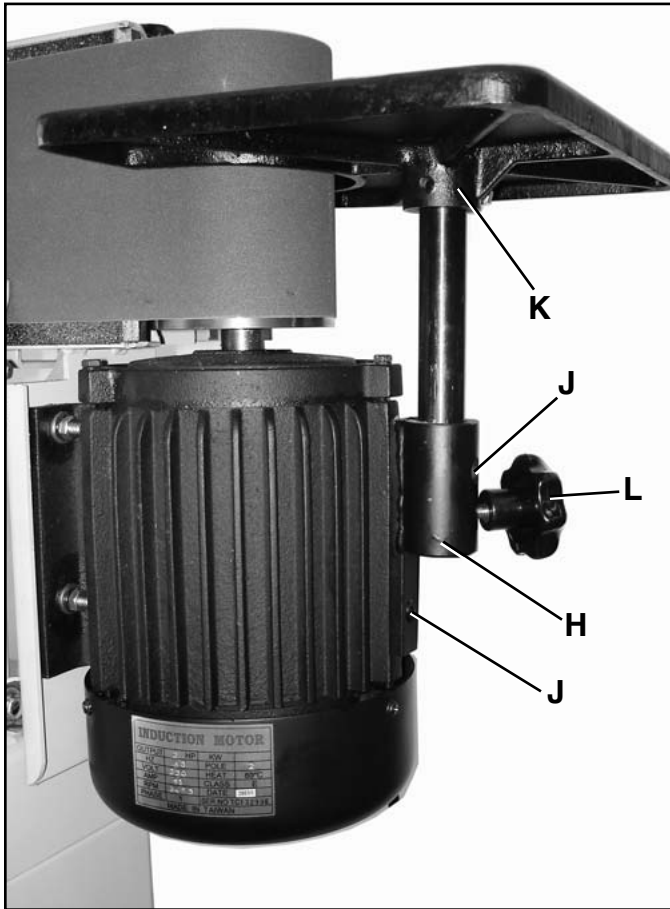
### **▲ WARNING**

**MAKE CERTAIN THE MACHINE IS DISCONNECTED FROM THE POWER SOURCE.**

**NOTE:** The motor drum guard must be moved to the side or removed completely to install the extension table.

1. Mount the Extension table mounting bracket (H) to the right side of the motor using Two Soc Hd Scrs (J). **SEE FIG. 4.**

**Fig. 4**



2. Insert the shaft of the extension table (K) into the mounting bracket (H).
3. Install the lock knob (L) and tighten to hold the extension table (K) in place.

**NOTE:** Make certain to maintain the gap between the motor drum and the extension table to prevent the belt from contacting the table.

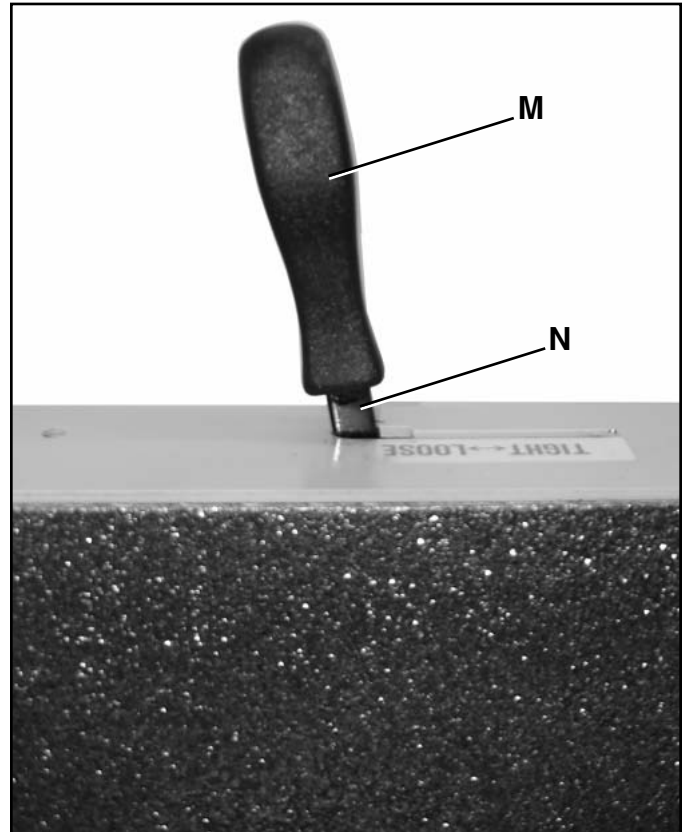
## BELT TENSIONING HANDLE

### **▲ WARNING**

**MAKE CERTAIN THE MACHINE IS DISCONNECTED FROM THE POWER SOURCE.**

1. Using a rubber mallet tap the handle (M) onto the belt tensioning shaft (N). **SEE FIG. 5.**

**Fig. 5**



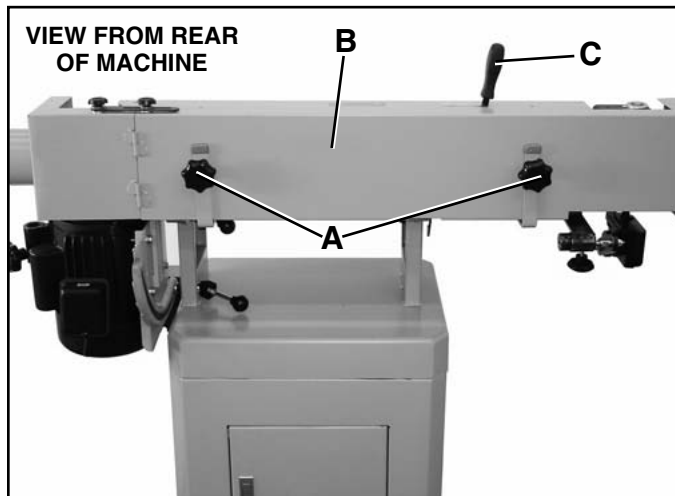
## INSTALLING THE BELT

### **⚠ WARNING**

**MAKE CERTAIN THE MACHINE IS DISCONNECTED FROM THE POWER SOURCE.**

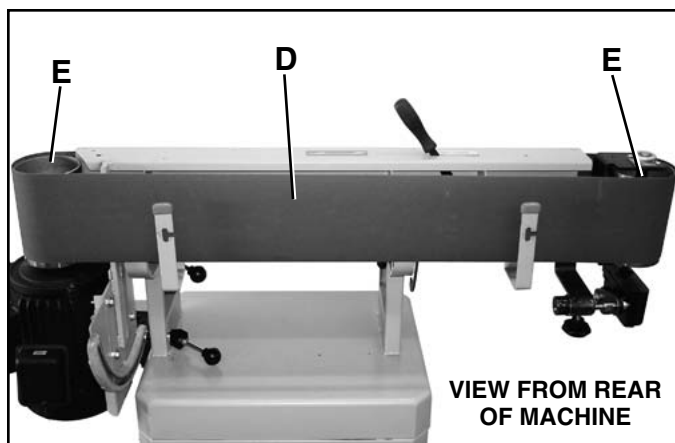
1. Loosen the two lock knobs (A) on the rear of the belt guard (B). Remove the belt guard (B).  
**SEE FIG. 6.**

**Fig. 6**



2. Make sure the belt tension handle (C) is in the loose position.
3. Install the belt (D) over the two drums (E) making sure that the entire belt is on the drums.  
**SEE FIG. 7.**

**Fig. 7**



**NOTE:** Make certain that the directional arrows on the inside of the belt face the direction the belt will travel when installed.

4. Move the belt tensioning handle (C) to the tighten position making sure the entire belt (D) is on the drums. **SEE FIG. 6.**
5. Reinstall the belt guard (B) and tighten the lock knobs (A).

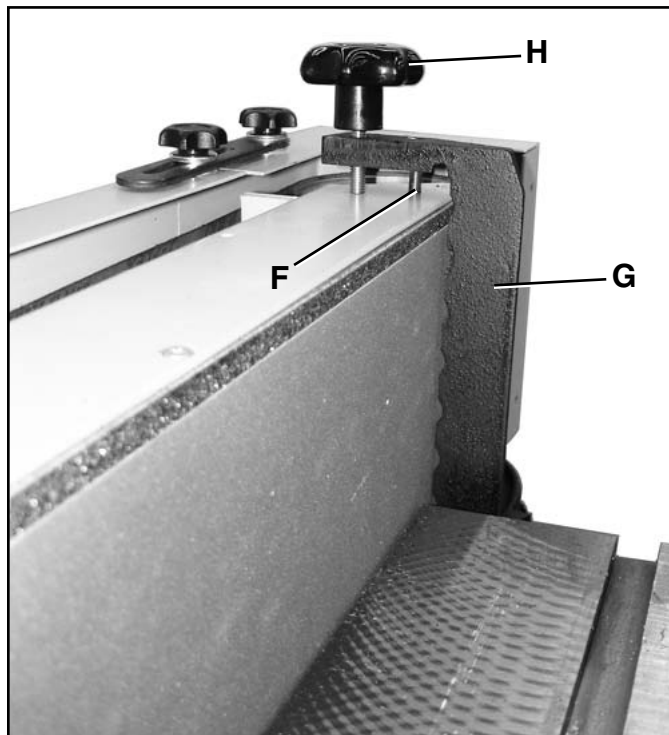
## INSTALLING THE WORKPIECE SUPPORT

### **⚠ WARNING**

**MAKE CERTAIN THE MACHINE IS DISCONNECTED FROM THE POWER SOURCE.**

1. Insert the pin (F) of the workpiece support (G) into the hole in the top of the sander. **SEE FIG. 8.**

**Fig. 8**



2. Thread the lock knob (H) into the tapped hole.
3. Adjust the workpiece support (G) so that it is as close as possible to the sanding belt without touching it.

## INSTALLING THE MOTOR DRUM GUARD

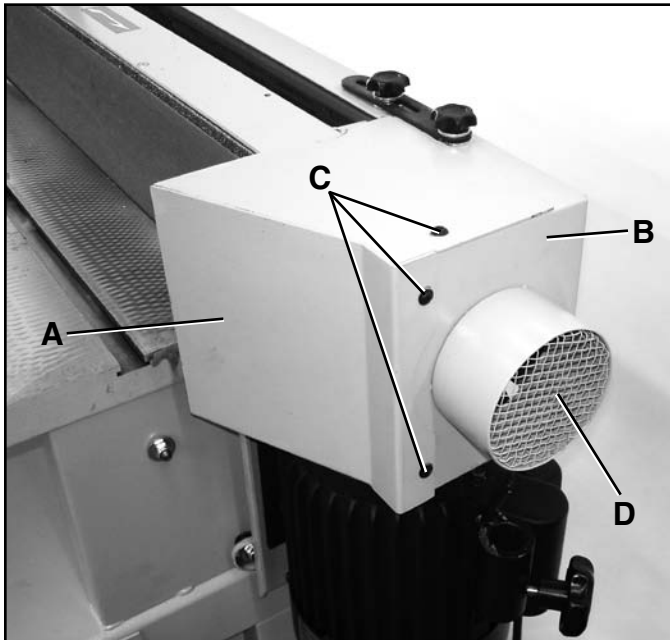
### **⚠ WARNING**

**MAKE CERTAIN THE MACHINE IS DISCONNECTED FROM THE POWER SOURCE.**

**NOTE:** The motor drum guard will have to be positioned to the rear of the sander while the workpiece support or the extension table is installed.

1. Place the motor drum guard (A) over the dust chute (B). **SEE FIG. 9.**

**Fig. 9**



2. Install three 3/16-24 x 1/4" screws (C) and tighten.
3. The edge sander is also equipped with a 4in. dust port (D) that should be connected to a dust collector.

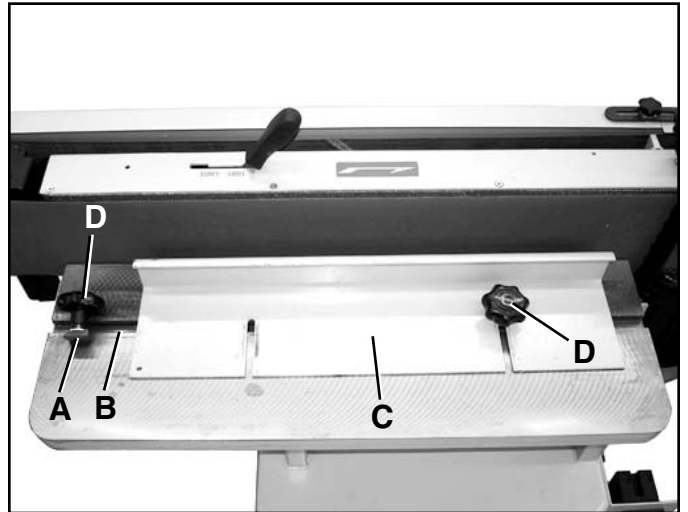
## INSTALLING THE FENCE

### **⚠ WARNING**

**MAKE CERTAIN THE MACHINE IS DISCONNECTED FROM THE POWER SOURCE.**

1. Slide the two T-nuts (A) into the miter slot (B) in the main table. **SEE FIG. 10.**

**Fig. 10**



2. Place the fence (C) over top of the T-nuts.
3. Install one 5/16" flat washer on each of the lock knobs (D), and thread the knobs into the T-nuts.
4. Position the fence in the desired location and tighten the lock knobs.

# ADJUSTMENTS

## TILTING SANDER PLATEN

### **▲ WARNING**

**MAKE CERTAIN THE MACHINE IS DISCONNECTED FROM THE POWER SOURCE.**

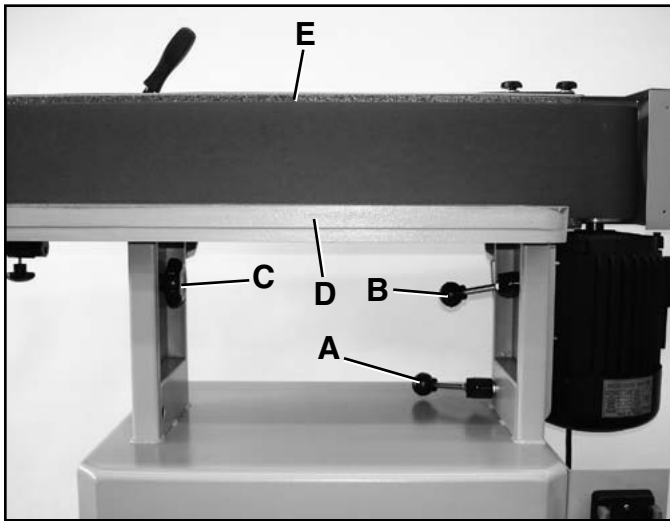
The platen (E) is the perfectly flat steel plate that has the graphite covering on it. The platen is the surface the sanding belt runs against.

The sander platen can be positioned between 90 Deg. and 180 Deg.

To adjust platen angle:

1. Loosen platen locking lever (A). **SEE FIG. 11.**

**Fig. 11**



2. Tilt platen (E) to desired angle.
3. Retighten platen locking lever (A).

## ADJUSTING MAIN TABLE

### **▲ WARNING**

**MAKE CERTAIN THE MACHINE IS DISCONNECTED FROM THE POWER SOURCE.**

**WARNING:** Do not position the main table below the sanding belt. Set at an overlap of at least 1/16". Failure to comply may cause serious injury!

The main table height and angle can be adjusted.

To adjust main table:

1. Loosen locking handle (B) and lock knob (C). **SEE FIG. 11.**
2. Move main table (D) to desired height and/or angle.
3. Retighten locking lever (B) and lock knob (C).

## ADJUSTING SANDER PLATEN POSITIVE STOPS

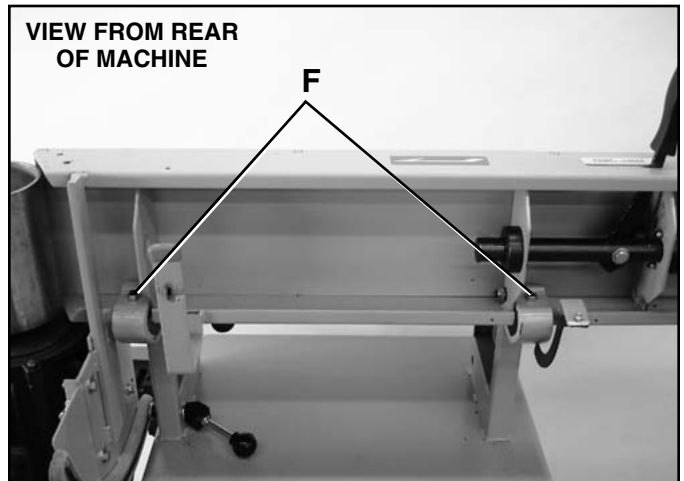
### **▲ WARNING**

**MAKE CERTAIN THE MACHINE IS DISCONNECTED FROM THE POWER SOURCE.**

The sander platen has positive stops for both 90 Deg. and 180 Deg. These positive stops should be set at the factory. It is still a good idea to familiarize yourself with the following procedures.

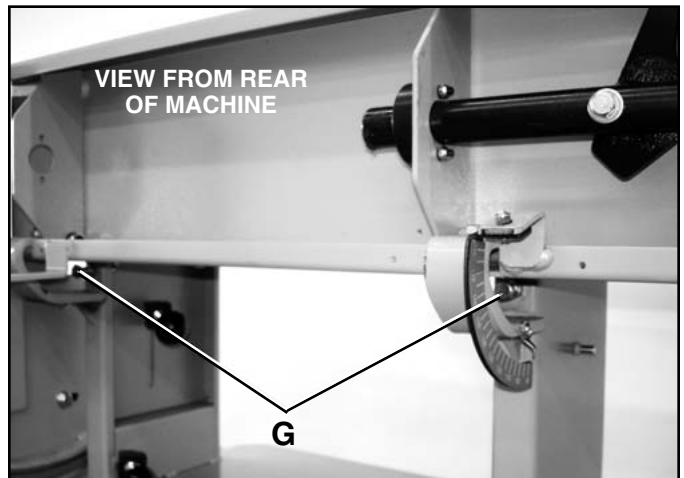
1. The 90 Deg. positive stops (F) can be adjusted by loosening the lock nut and threading the set screws in or out. **SEE FIG. 12.**

**Fig. 12**



2. Retighten the lock nut after adjustment is made making sure the set screw does not move.
3. The 180 Deg. positive stops (G) can be adjusted by loosening the lock nut and threading the bolts in or out. **SEE FIG. 13.**

**Fig. 13**



4. Retighten the lock nut after adjustment is made making sure the bolt does not move.

## ADJUSTING BELT TRACKING

### **▲ WARNING**

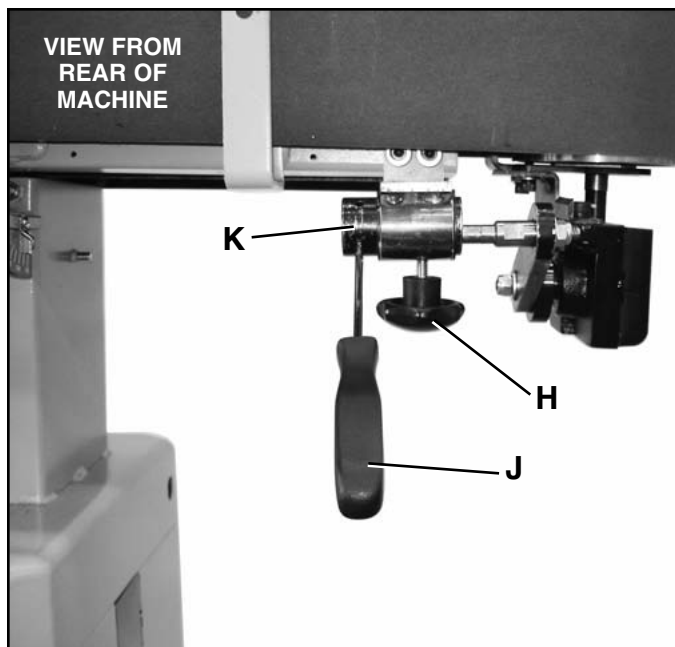
**MAKE CERTAIN THE MACHINE IS DISCONNECTED FROM THE POWER SOURCE.**

The belt tracking may need to be adjusted when installing or replacing a belt.

To adjust the belt tracking:

1. Loosen lock knob (H). **SEE FIG.14.**

**Fig. 14**



2. Install the adjustment tool (J) into one of the holes in the eccentric (K).
3. Use your hand to move the belt and observe the movement of the sanding belt on the drums.

**NOTE:** The belt should remain near the center of the drums.

4. To adjust the belt tracking up, turn the eccentric clockwise.
5. To adjust the belt tracking down, turn the eccentric counter clockwise.
6. After proper belt tracking is achieved, remove adjusting tool (J) and retighten lock knob (H).

## ADJUSTING MOTOR MOUNTING TRACKING

### **▲ WARNING**

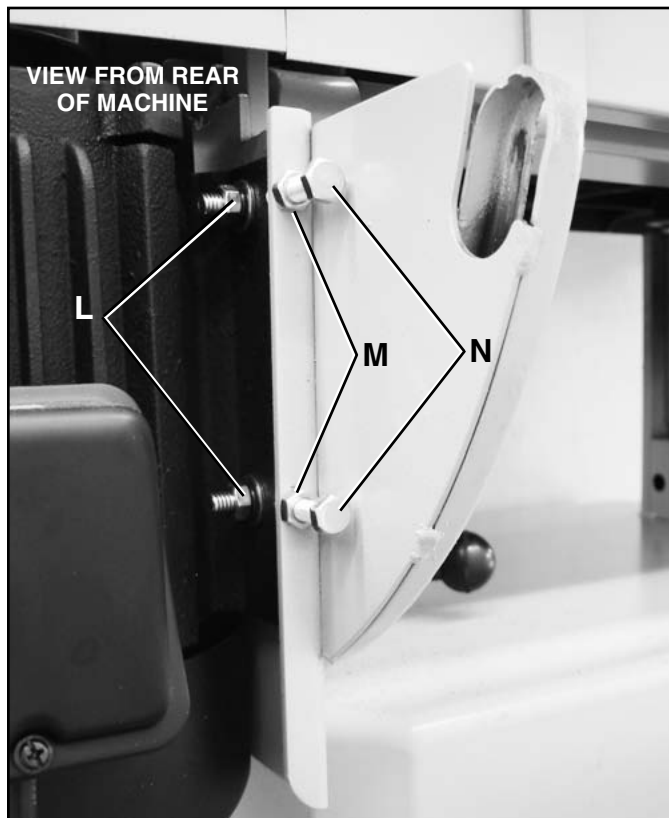
**MAKE CERTAIN THE MACHINE IS DISCONNECTED FROM THE POWER SOURCE.**

Motor mount tracking is a coarse adjustment. Use the adjusting belt tracking section first.

If proper tracking can not be achieved then use this procedure. To adjust the motor mount tracking:

1. Loosen the four motor mounting bolts, two of which are shown at (L). **SEE FIG. 15.**

**Fig. 15**



2. Loosen the two motor tracking lock nuts (M).
3. Turn one motor tracking bolt (N) in a 1/4 turn and rotate the belt by hand. Observe the direction the adjustment is causing the belt to track. If the belt has moved in the correct direction go to step 5.
4. If the belt tracked the wrong direction, back the motor tracking bolt (N) to its starting position. Turn the other motor tracking bolt (N) in 1/4 turn and rotate the belt by hand. This should change the belt tracking to the proper direction.
5. Tighten both motor tracking lock nuts (M) making sure the motor tracking bolts (N) do not move. Then tighten the motor mounting nuts (L). Return to the Adjusting Belt Tracking section to finish the fine adjustments to the belt tracking.

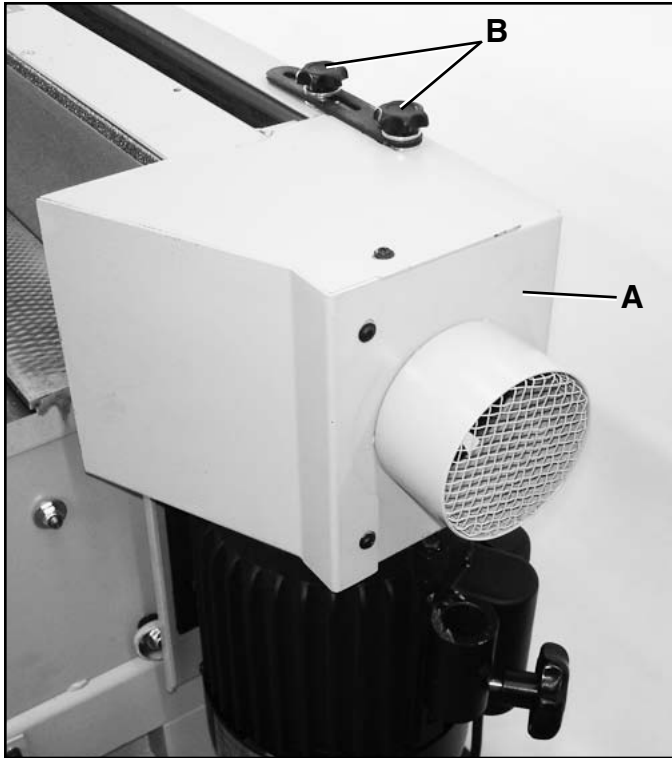
## ADJUSTING THE MOTOR DRUM GUARD

### **⚠ WARNING**

**MAKE CERTAIN THE MACHINE IS DISCONNECTED FROM THE POWER SOURCE.**

1. To move the motor drum guard (A), loosen the two lock knobs (B). **SEE FIG. 16.**

**Fig. 16**



2. Reposition the motor drum guard.
3. Retighten the two lock knobs.

# OPERATIONS

## **⚠ WARNING**

**NEVER OPERATE THE EDGE SANDER WITHOUT PROPERLY INSTALLED BELT GUARDS. FAILURE TO COMPLY MAY CAUSE SERIOUS INJURY.**

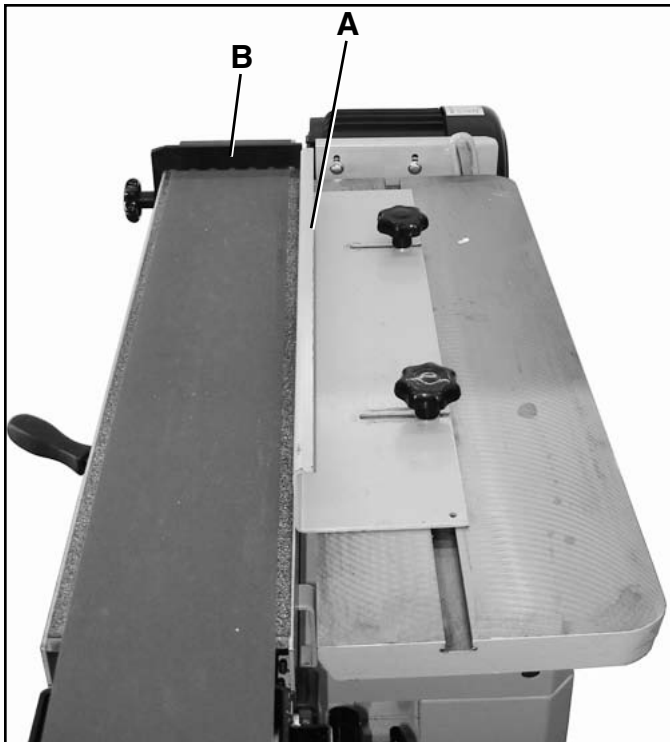
**BEFORE STARTING THE EDGE SANDER, BE SURE YOU HAVE FOLLOWED ALL THE GUIDELINES FOR SET UP AND SAFETY.**

- Connect the Edge Sander to the power source and push the start button.
- Make sure the belt tracks properly. Refer to the adjustment section of this manual if required.
- It is recommended to use a scrap piece of wood to help get the feel of the machine.
- Always make sure that any wood you use is free of defects and foreign objects.

## **HORIZONTAL SANDING**

For horizontal sanding, the platen must be locked in the horizontal (180 Deg.) position. Install and secure the fence (A) and the workpiece support (B). **SEE FIG. 17.**

**Fig. 17**

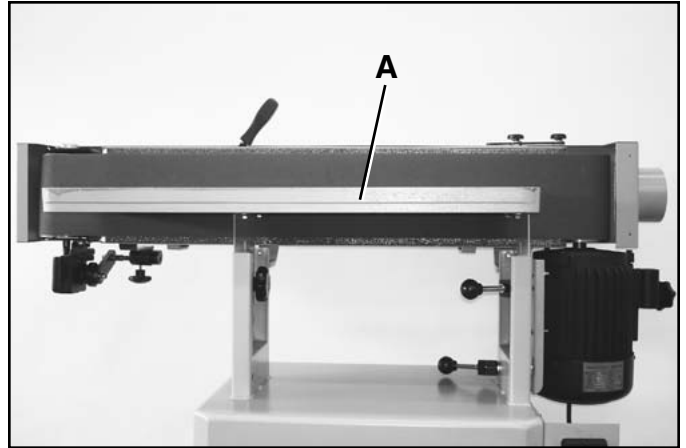


## **VERTICAL SANDING**

For vertical sanding, the platen must be locked in the vertical (90Deg.) position.

The main table (A) can be raised or lowered to fully utilize the entire belt. Refer to the adjustments section of this manual. You may install the workpiece support and use the miter gauge (not shown) in this position. **SEE FIG. 18.**

**Fig. 18**

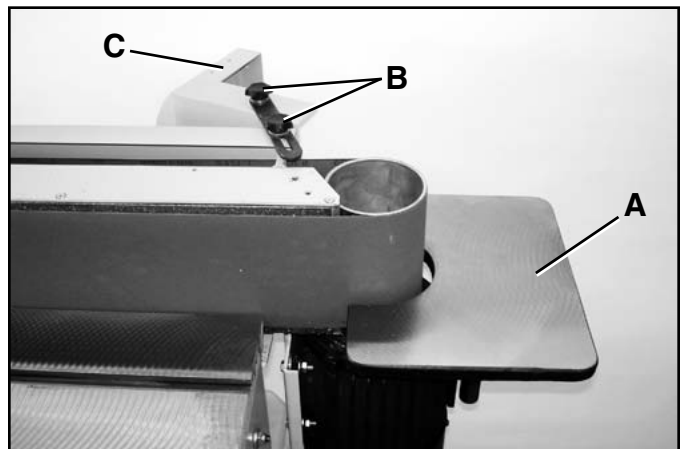


## **CONTOUR SANDING**

For contour sanding, the platen must be locked in the vertical (90Deg) position and the extension table must be installed on the motor mount. See installing the extension table in the assembly section of this manual.

The extension table (A) can be raised or lowered to fully utilize the entire belt. Make certain the motor drum guard (C) is positioned out of the way and the two lock knobs (B) are tightened. **SEE FIG. 19.**

**Fig. 19**



**NOTE:** When not using the extension table it should be removed and the motor drum guard should be secured over the motor drum to prevent accidental contact.

# MAINTENANCE

Your Edge Sander requires little maintenance. Cleaning will increase the machine's efficiency by removing grime which can gum up moving parts. If you find that the machine sands less efficiently than usual, inspect the sanding belt and clean with a gum rubber belt cleaner or replace as needed. An occasional application of good quality paste wax (one that does not contain silicone or other synthetics) will keep the sander tables and other bare metal parts from rusting.

## **⚠ WARNING**

**MAKE CERTAIN THE MACHINE IS DISCONNECTED FROM THE POWER SOURCE.**

## **BEARINGS:**

The sander features factory sealed bearings that requires no lubrication during its lifetime.

Should a bearing fail, your sander will develop a noticeable rumble, which will increase when the machine is put under load. Bearings must be replaced when this occurs.

## **GEAR BOX:**

### **⚠ WARNING**

**MAKE CERTAIN THAT THE MACHINE IS DISCONNECTED FROM THE POWER SOURCE.**

Periodically lubricate the gears in the gear box using a quality #2 grease or equivalent.

## **SANDING BELTS:**

Sanding belts should be inspected periodically for wear or damage. Damaged belts should be replaced before further use.

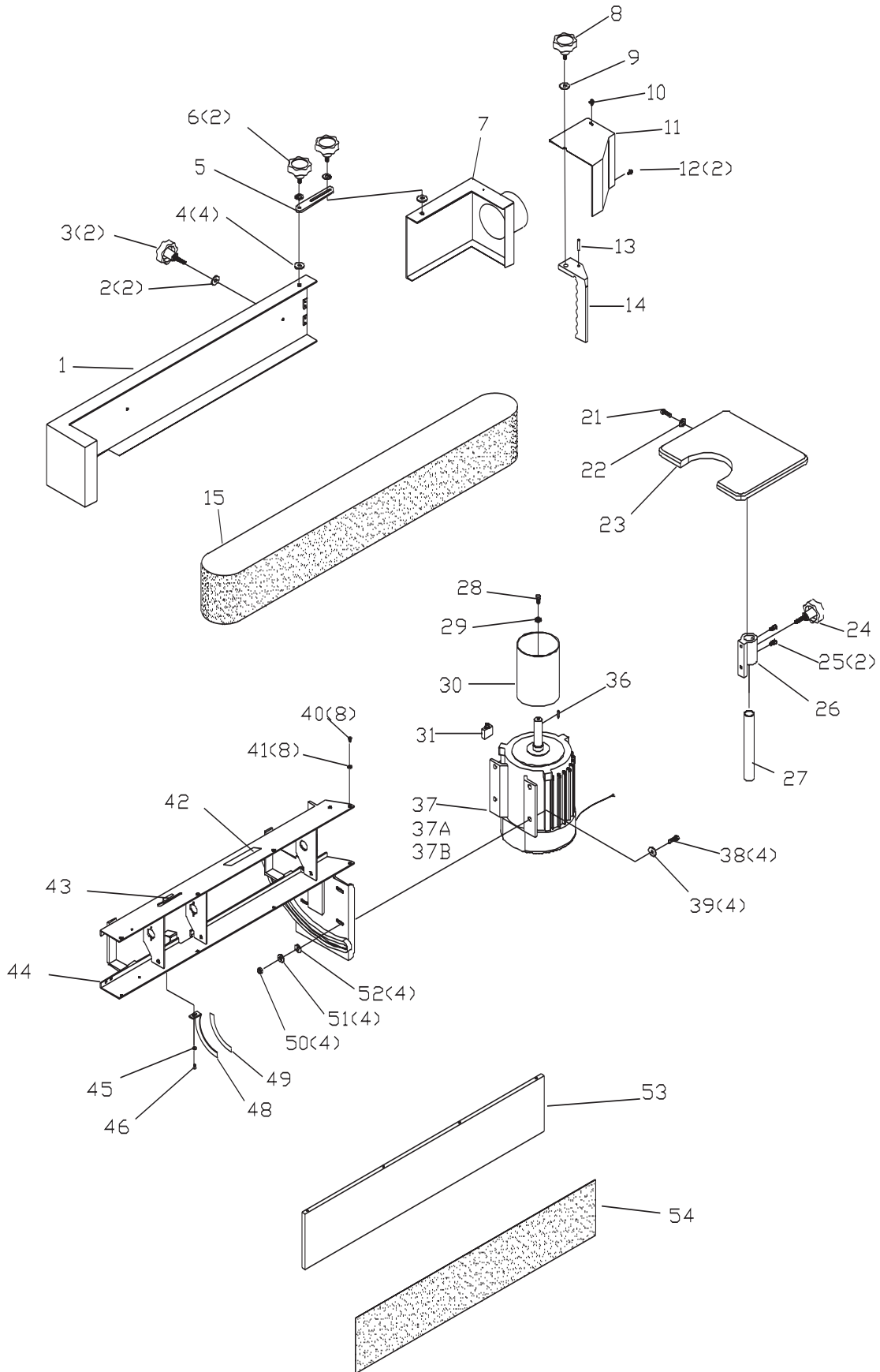


# TROUBLESHOOTING GUIDE

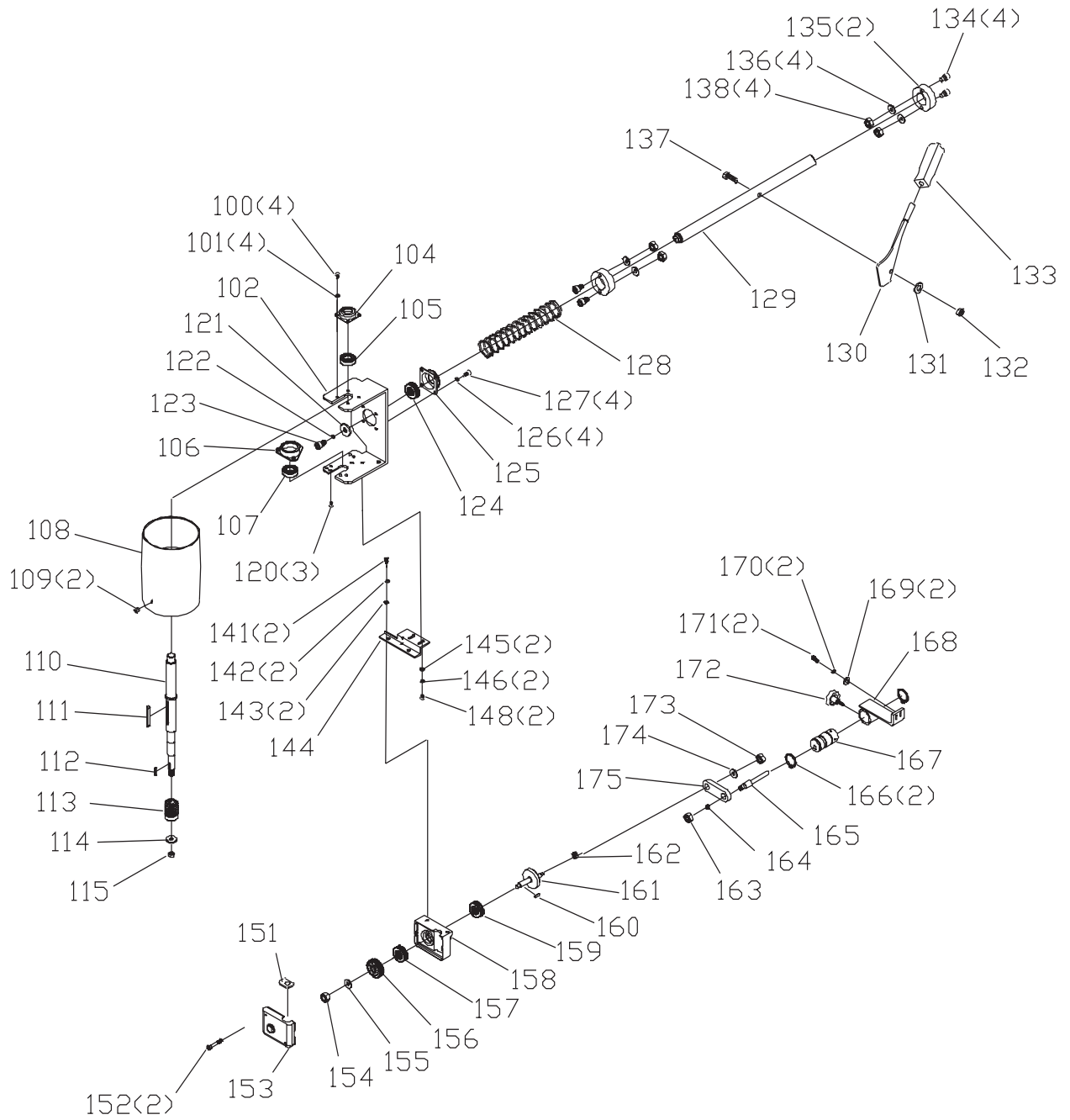
To prevent injury to yourself or damage to the edge sander, turn the switch to the OFF position and unplug the power cord from the electrical receptacle before making any adjustments.

PROBLEM	LIKELY CAUSE(S)	SOLUTION
<b>Motor will not start.</b>	<ol style="list-style-type: none"> <li>1. Low or no voltage.</li> <li>2. Open circuit in motor or loose connections.</li> </ol>	<ol style="list-style-type: none"> <li>1. Check power line for proper voltage.</li> <li>2. Inspect all lead connections on motor for loose or open connections.</li> </ol>
<b>Motor will not start; fuses or circuit breakers blow.</b>	<ol style="list-style-type: none"> <li>1. Short circuit in line cord or plug.</li> <li>2. Short circuit in motor or loose connections.</li> <li>3. Incorrect fuses or circuit breakers in power line.</li> </ol>	<ol style="list-style-type: none"> <li>1. Inspect cord or plug for damaged insulation and shorted wires.</li> <li>2. Inspect all connections on motor for loose or shorted terminals or worn insulation.</li> <li>3. Install correct fuses or circuit breakers.</li> </ol>
<b>Motor fails to develop full power (power output of motor decreases rapidly with decrease in voltage at motor terminals).</b>	<ol style="list-style-type: none"> <li>1. Power line overloaded with lights, appliances, and other motors.</li> <li>2. Undersized wires or circuits too long.</li> <li>3. General overloading of power company facilities.</li> </ol>	<ol style="list-style-type: none"> <li>1. Reduce load on power line.</li> <li>2. Increase wire sizes or reduce length of wire.</li> <li>3. Request a power check from the power company.</li> </ol>
<b>Motor overheats.</b>	<ol style="list-style-type: none"> <li>1. Motor overloaded.</li> <li>2. Air circulation through the motor restricted.</li> </ol>	<ol style="list-style-type: none"> <li>1. Reduce load on motor.</li> <li>2. Clean out motor to provide normal air circulation.</li> </ol>
<b>Motor stalls (resulting in blown fuses or tripped circuit).</b>	<ol style="list-style-type: none"> <li>1. Short circuit in motor or loose connections.</li> <li>2. Low voltage.</li> <li>3. Incorrect fuses or circuit breakers in power line.</li> <li>4. Motor overloaded.</li> </ol>	<ol style="list-style-type: none"> <li>1. Inspect connections on motor for loose or shorted terminals or worn insulation.</li> <li>2. Correct the low voltage conditions.</li> <li>3. Install correct fuses or circuit breakers.</li> <li>4. Reduce load on motor.</li> </ol>
<b>Machine slows when operating.</b>	<ol style="list-style-type: none"> <li>1. Applying too much pressure to workpiece.</li> </ol>	<ol style="list-style-type: none"> <li>1. Reduce feed pressure. Never force workpiece into sanding belt.</li> </ol>
<b>Sanding belt keeps tearing.</b>	<ol style="list-style-type: none"> <li>1. Belt is running in the wrong direction.</li> </ol>	<ol style="list-style-type: none"> <li>1. Turn belt so the arrows on the inside of the belt are pointing in the direction the belt is traveling.</li> </ol>
<b>Sanding edge is not square.</b>	<ol style="list-style-type: none"> <li>1. Platen is not square to the table.</li> </ol>	<ol style="list-style-type: none"> <li>1. Use a square to adjust the platen to the table.</li> </ol>
<b>Sanding marks on the wood.</b>	<ol style="list-style-type: none"> <li>1. Wrong grit sanding belt.</li> <li>2. Feed pressure too great.</li> <li>3. Sanding against the grain.</li> </ol>	<ol style="list-style-type: none"> <li>1. Use a finer grit belt.</li> <li>2. Reduce feed pressure. Never force workpiece into sanding belt.</li> <li>3. Sand with the grain.</li> </ol>

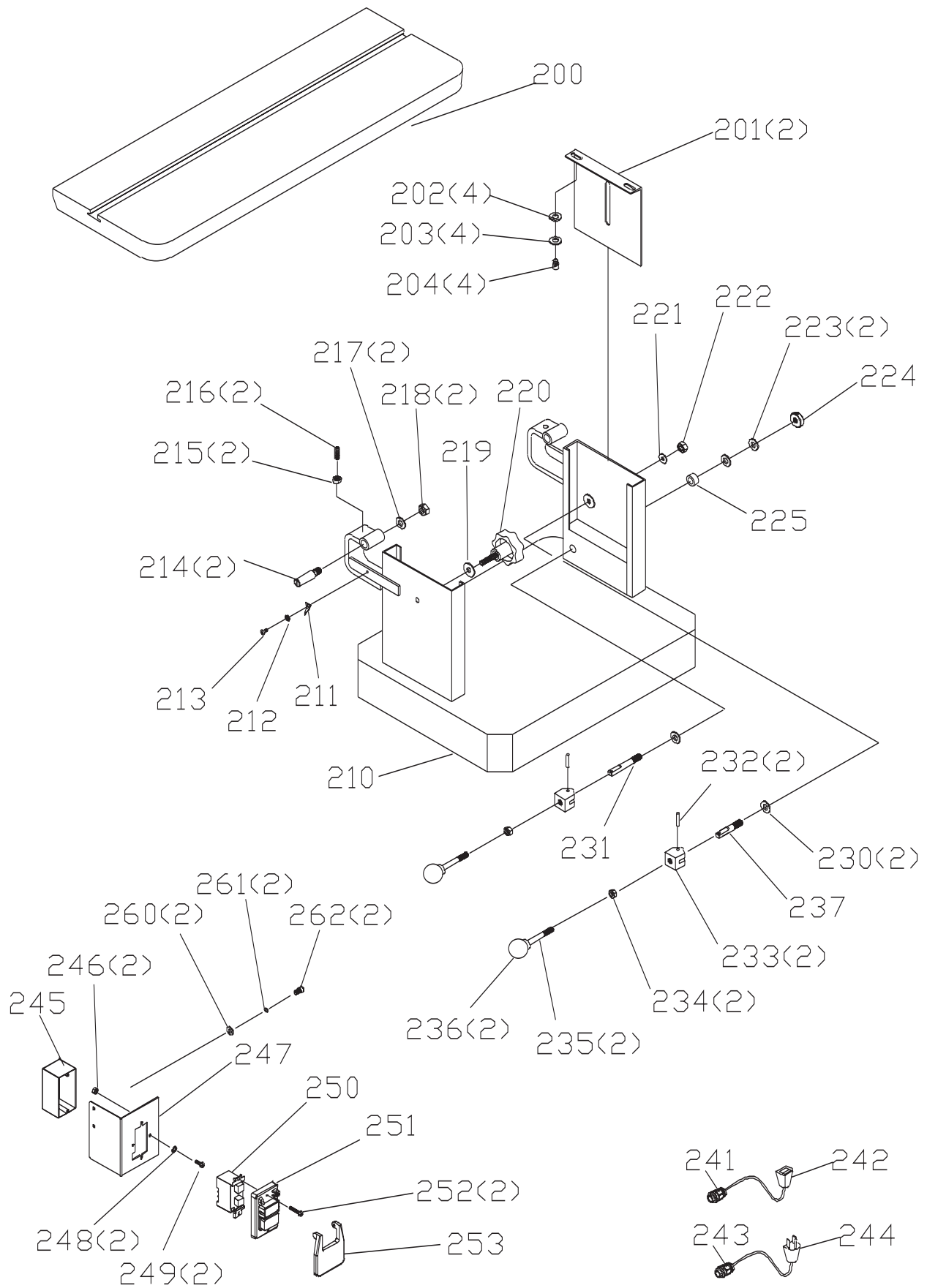
# PARTS



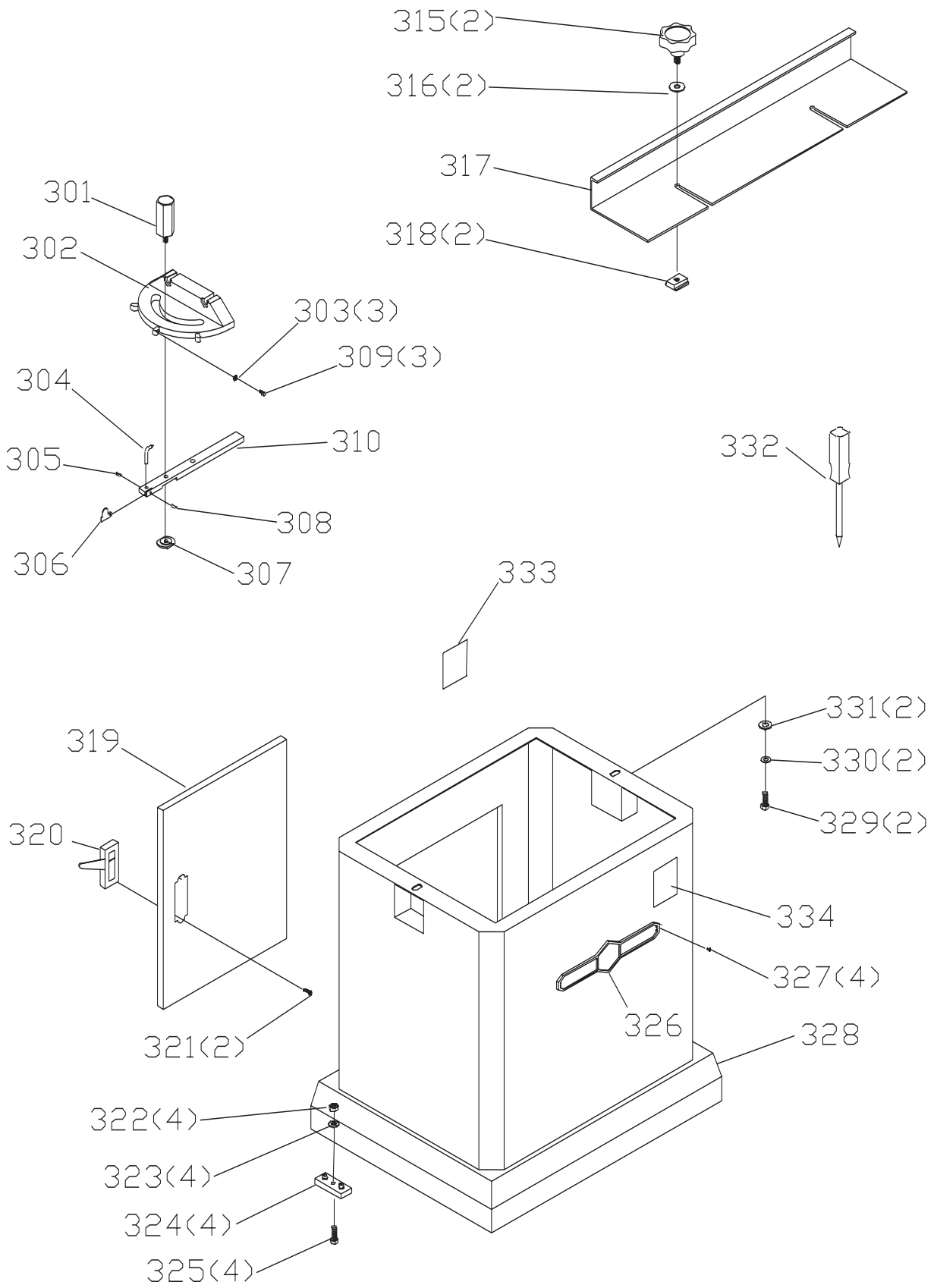
KEY NO.	PART NO.	DESCRIPTION	QTY.	KEY NO.	PART NO.	DESCRIPTION	QTY.
1	OR73890	BELT GUARD	1	30	OR73904	MOTOR SANDING DRUM	1
2	OR90064	WASHER FLAT 5/16"	2	31	OR73905	RESET SWITCH	1
3	OR73891	LOCK KNOB M8 x 12mm	2	36	OR94455	KEY 5x5x25mm	1
4	OR90680	WASHER FLAT 1/4"	4	37	OR70416	MOTOR ASSY INC: Ref. 31,37A,37B	1
5	OR73892	LINK PLATE	1	37A	OR70363	MOTOR SPEC PLATE	1
6	OR73893	LOCK KNOB M6	2	37B	OR73906	CAPACITOR	1
7	OR73894	DUST CHUTE	1	38	OR94392	SCR HEX HD 5/16-18 x 1-1/4"	4
8	OR73895	LOCK KNOB M8 x 35mm	1	39	OR90064	WASHER FLAT 5/16"	4
9	OR90064	WASHER FLAT 5/16"	1	40	OR92720	SCR FLAT HD M5 x 12mm	8
10	OR94999	SCR PAN HD 3/16-24 x 1/4"L	1	41	OR90689	WASHER EXT TOOTH 3/16"	8
11	OR73896	MOTOR DRUM GUARD	1	42	OR73907	DIRECTIONAL LABEL	1
12	OR94999	SCR PAN HD 3/16-24 x 1/4"L	2	43	OR73908	LABEL	1
13	OR73897	PIN	1	44	OR73909	SANDING PLATFORM	1
14	OR73898	WORKPIECE SUPPORT	1	45	OR90689	WASHER EXT TOOTH 3/16"	1
15	OR73899	SANDING BELT	1	46	OR95001	SCR FLAT HD 3/16-24 x 3/4"	1
21	OR94392	SCR HEX HD 5/16-18 x 1-1/4"	1	47	OR73910	SCALE ASSY INC: REF. 48,49	1
22	OR90064	WASHER FLAT 5/16"	1	48	OR73911	SCALE BRACKET	1
23	OR73900	EXTENSION TABLE	1	49	OR73912	SCALE	1
24	OR73901	LOCK KNOB	1	50	OR90338	NUT HEX 5/16-18	4
25	OR95000	SCR HEX SOC HD 3/16" x 3/8"	2	51	OR91658	WASHER LOCK 5/16"	4
26	OR73902	EXTENSION TABLE MOUNTING BRACKET	1	52	OR90064	WASHER FLAT 5/16"	4
27	OR73903	SUPPORT ROD	1	53	OR73913	PLATEN	1
28	OR91330	SCR HEX HD 1/4-20 x 1"	1	54	OR73914	GRAPHITE PAD	1
29	OR90680	WASHER FLAT 1/4" x 23"	1				



KEY NO.	PART NO.	DESCRIPTION	QTY.	KEY NO.	PART NO.	DESCRIPTION	QTY.
100	OR95002	SCR ROUND HD 3/16-24 x 1/4"	4	138	OR93903	NUT NYLOK M5	4
101	OR95003	WASHER LOCK 3/16"	4	141	OR95008	SCR HEX SOC HD 5/16" x 1-1/4"	1
102	OR73915	DRUM BRACKET	1	142	OR91658	WASHER LOCK 5/16"	2
103	OR73916	DRUM ASSY INC: REF. 104 thru 115	1	143	OR90064	WASHER FLAT 5/16"	2
104	OR73917	BEARING SEAT	1	144	OR73928	BRACKET	1
105	OR90075	BEARING 6202ZZ	1	145	OR90680	WASHER FLAT 1/4"	2
106	OR73918	BEARING SEAT	1	146	OR90070	WASHER LOCK 1/4"	2
107	OR90075	BEARING 6202ZZ	1	148	OR95009	SCR HEX SOC HD 1/4-20 x 1/2"	2
108	OR73919	IDLER SANDING DRUM	1	150	OR73929	GEAR BOX ASSY INC: REF. 151 thru 162	1
109	OR90239	SCR HEX SOC SET M6 x 6mm	2	151	OR73930	FOAM GASKET	1
110	OR73920	DRUM SHAFT	1	152	OR95010	SCR HEX SOC HD M5 x 30mm	2
111	OR95004	KEY 5x5x40mm	1	153	OR73931	COVER	1
112	OR95005	KEY 4x4x25mm	1	154	OR94480	NUT NYLOK 5/16-18	1
113	OR73921	WORM GEAR	1	155	OR90064	WASHER FLAT 5/16"	1
114	OR90064	WASHER FLAT 5/16"	1	156	OR73932	GEAR	1
115	OR94480	NUT NYLOK 5/16-18	1	157	OR95011	BEARING 6011ZZ	1
120	OR95006	SCR FLAT HD 1/4-20 x 3/4"	3	158	OR73933	GEAR BOX HOUSING	1
121	OR90064	WASHER FLAT 5/16"	1	159	OR95011	BEARING 6011ZZ	1
122	OR91658	WASHER LOCK 5/16"	1	160	OR95012	KEY 4x4x15mm	1
123	OR90634	SCR HEX HD 5/16-18 x 1"	1	161	OR73934	CAM	1
124	OR95007	BEARING 6003ZZ	1	162	OR95013	BEARING 6800ZZ	1
125	OR73922	BEARING CUP	1	163	OR94480	NUT NYLOK 5/16-18	1
126	OR95003	WASHER LOCK 3/16"	4	164	OR95013	BEARING 6800ZZ	1
127	OR95002	SCR ROUND HD 3/16-24 x 1/4"	4	165	OR73935	SHAFT	1
128	OR73923	SPRING	1	166	OR95014	C Ring	2
129	OR73924	TENSION BAR	1	167	OR73936	ECCENTRIC DRUM	1
130	OR73925	LEVER	1	168	OR73937	ECCENTRIC BRACKET	1
131	OR90064	WASHER FLAT 5/16"	1	169	OR90680	WASHER FLAT 1/4"	2
132	OR94480	NUT NYLOK 5/16-18	1	170	OR90070	WASHER LOCK 1/4"	2
133	OR73926	BELT TENSION HANDLE	1	171	OR95014	SCR HEX SOC HD 1/4-20 x 1-1/4"	2
134	OR90588	SCR HEX SOC HD M5 x 20mm	4	172	OR73938	LOCK KNOB 1/4-20	1
135	OR73927	SUPPORT RING	2	173	OR94480	NUT NYLOK 5/16-18	1
136	OR90145	WASHER LOCK M5	4	174	OR90064	WASHER FLAT 5/16"	1
137	OR94398	SCR HEX HD 5/16-18 x 1-3/4"	1	175	OR73939	LINK PLATE	1



KEY NO.	PART NO.	DESCRIPTION	QTY.	KEY NO.	PART NO.	DESCRIPTION	QTY.
200	OR73940	MAIN TABLE	1	232	OR95016	PIN ROLL 5x25mm	2
201	OR73941	ADJUSTMENT PLATE	2	233	OR73948	CAM BLOCK	2
202	OR90064	WASHER FLAT 5/16"	4	234	OR90369	NUT HEX 3/8"	2
203	OR91658	WASHER LOCK 5/16"	4	235	OR73949	LOCK HANDLE	2
204	OR90065	SCR HEX HD 5/16-18 x 5/8"	4	236	OR73950	KNOB	2
210	OR73942	BASE	1	237	OR73951	SCR SPECIAL	1
211	OR73943	POINTER	1	240	OR73952	SWITCH ASSY INC. REF. 241 thru 253	1
212	OR90689	WASHER EXT TOOTH 3/16"	1	241	OR73953	STRAIN RELIEF	1
213	OR95015	SCR FLAT HD 3/16-24 x 3/8"	1	242	OR73954	SWITCH CORD	1
214	OR73944	SCR SPECIAL	2	243	OR73953	STRAIN RELIEF	1
215	OR90387	NUT HEX 5/16-18	2	244	OR73955	POWER CORD	1
216	OR94295	SCR HEX SOC SET 5/16-18 x 3/4"	2	245	OR73956	SWITCH BOX	1
217	OR90647	WASHER LOCK 3/8"	2	246	OR95017	NUT HEX 3/16"	2
218	OR90228	NUT HEX M10	2	247	OR73957	SWITCH MOUNTING BRACKET	1
219	OR90064	WASHER FLAT 5/16"	1	248	OR90689	WASHER EXT TOOTH 3/16"	2
220	OR73945	LOCK KNOB	1	249	OR94128	SCR PAN HD 3/16-24 x 5/8"	2
221	OR90467	WASHER FLAT 3/8"	1	250	OR73958	SWITCH	1
222	OR94137	NUT NYLOK 3/8"	1	251	OR73959	SWITCH COVER	1
223	OR90467	WASHER FLAT 3/8"	2	252	OR95018	SCR PAN HD 8-36 x 1-1/4"	2
224	OR94137	NUT NYLOK 3/8"	1	253	OR73960	SWITCH PADDLE	1
225	OR73946	SPACER	1	260	OR90680	WASHER FLAT 1/4"	2
230	OR90064	WASHER FLAT 5/16"	2	261	OR90070	WASHER LOCK 1/4"	2
231	OR73947	SCR SPECIAL	1	262	OR95019	SCR HEX SOC HD 1/4-20 x 5/8"	2





KEY NO.	PART NO.	DESCRIPTION	QTY.	KEY NO.	PART NO.	DESCRIPTION	QTY.
300	OR73961	MITER GAUGE ASSY INC: REF 301 thru 310	1	321	OR92126	SCR PAN HD M4 x 6mm	2
301	OR73962	HANDLE	1	322	OR90387	NUT HEX 5/16-18	4
302	OR73963	MITER GAUGE BODY	1	323	OR91658	WASHER LOCK 5/16"	4
303	OR95020	HEX NUT 8-32	3	324	OR73973	FOOT	4
304	OR73964	POINTER	1	325	OR95023	SCR PAN HD 5/16-18 x 5/8"	4
305	OR91762	SCR HEX SOC SET 1/4-20 x 1/4"	1	326	OR70484	NAME PLATE	1
306	OR73965	STOP PLATE	1	327	OR73823	RIVET	4
307	OR73966	NUT SPECIAL	1	328	OR73974	CABINET	1
308	OR95021	PIN	1	329	OR94392	SCR HEX HD 5/16-18 x 1-1/4"	2
309	OR95022	SCR PAN HD 8-32 x 1/2"	3	330	OR91658	WASHER LOCK 5/16"	2
310	OR73967	MITER BAR	1	331	OR90064	WASHER FLAT 5/16"	2
315	OR73968	LOCK KNOB	2	332	OR73975	ADJUSTMENT TOOL	1
316	OR90064	WASHER FLAT 5/16"	2	333	OR70304	SPEC LABEL	1
317	OR73969	FENCE	1	334	OR74015	WARNING LABEL	1
318	OR73970	T-NUT	2	400	OR73976	MANUAL (NOT SHOWN)	1
319	OR73971	DOOR	1	401	OR73977	MANUAL SPANISH (NOT SHOWN)	1
320	OR73972	DOOR LATCH	1	402	OR73978	MANUAL FRENCH (NOT SHOWN)	1

# ◆ NOTES ◆



# **STEEL CITY TOOL WORKS**

**[www.steelcitytoolworks.com](http://www.steelcitytoolworks.com)**

**1-877-SC4-TOOL**  
**(1-877-724-8665)**

---

*5 Year Warranty*

